



NOL10N, NOL10NF, NOL10NV

Specifications

Low Level Order Picker

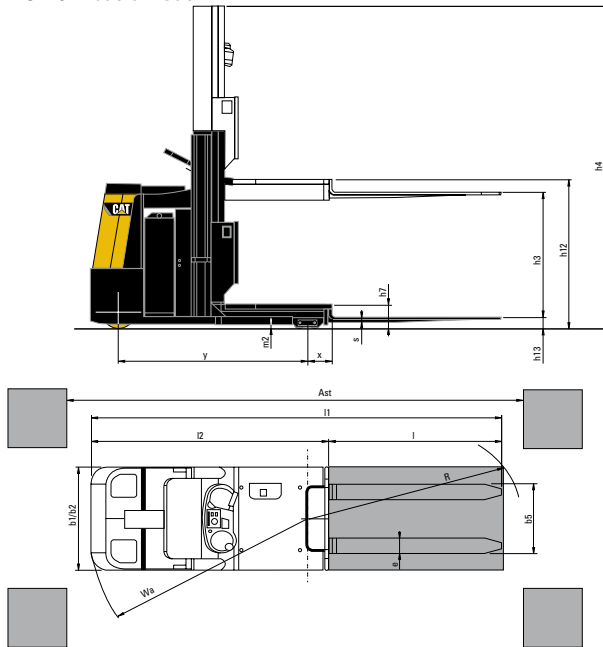
1.0 tonne

Characteristics			Cat Lift Trucks	Cat Lift Trucks	Cat Lift Trucks
1.01	Manufacturer (abbreviation)		NOL10N	NOL10NF	NOL10NV
1.02	Manufacturer's model designation		Battery	Battery	Battery
1.03	Power source: (battery, diesel, LP gas, petrol)		Stand-on	Stand-on	Stand-on
1.04	Operator type: pedestrian, (operator)-standing, -seated				
1.05	Load capacity	Q (kg)	1000	1000	1000
1.06	Load centre distance	c (mm)	600	600	600
1.08	Load wheel axle to fork face (forks lowered)	x (mm)	165	165	140
1.09	Wheelbase	y (mm)	1290	1290	1270
Weight					
2.01	Truck weight with nominal load & maximum battery weight	kg	2530	2570	2570
2.03	Axle loadings without load & with maximum battery weight, drive/load side	kg	630 / 900	675 / 895	675 / 895
Wheels, Drive Train					
3.01	Tyres: PT=Power Thane, Vul=Vulkollan, drive/load side		Vul / Vul	Vul / Vul	Vul / Vul
3.02	Tyre dimensions, drive side		250 x 100	250 x 100	250 x 100
3.03	Tyre dimensions, load side		85 x 90	85 x 90	85 x 90
3.05	Number of wheels, drive/load side (x=driven)		1x / 4	1x / 4	1x / 4
3.06	Track width (centre of tyres), drive side	b10 (mm)	672	672	672
3.07	Track width (centre of tyres), load side	b11 (mm)	-	-	-
Dimensions					
4.02	Height with mast lowered (see tables)	h1 (mm)	1550	1550	1550
4.03	Free lift (see tables)	h2 (mm)	-	790	-
4.05	Overall height with mast raised	h4 (mm)	2460	2460	2460
4.08	Seat- or stand height	h7 (mm)	180	180	180
4.11	Supplementary lift	h9 (mm)	-	790	-
4.14	Platform height, raised	h12 (mm)	1150	1150	1150
4.15	Fork height, fully lowered	h13 (mm)	80	80	80
4.19	Overall length	l1 (mm)	2795	2795	2795
4.20	Length to fork face (includes fork thickness)	l2 (mm)	1645	1645	1615
4.21	Overall width	b1 / b2 (mm)	800	800	1200
4.22	Fork dimensions (thickness, width, length)	s / e / l (mm)	40 / 120 / 1150	40 / 120 / 1150	60 / 165 / 1150
4.25	Outside width over forks (minimum/maximum)	b5 (mm)	540	540	490 - 850
4.32	Ground clearance at centre of wheelbase, (forks lowered)	m2 (mm)	30	30	30
4.33/a	Working aisle width (Ast) with 1000 x 1200 mm pallets, load crosswise	Ast (mm)	3040	3040	3018
4.33/b	Working aisle width (Ast3) with 1000 x 1200 mm pallets, load crosswise	Ast3 (mm)	2895	2895	2870
4.34/a	Working aisle width (Ast) with 800 x 1200 mm pallets, load lengthwise	Ast (mm)	3152	3152	3128
4.34/b	Working aisle width (Ast3) with 800 x 1200 mm pallets, load lengthwise	Ast3 (mm)	3095	3095	3070
4.35	Turning circle radius	Wa (mm)	1530	1530	1530
Performance					
5.01	Travel speed, with/without load	km/h	9 / 9	9 / 9	9 / 9
5.02	Lifting speed, with/without load	m/s	0.14 / 0.19	0.14 / 0.19	0.14 / 0.19
5.03	Lowering speed, with/without load	m/s	0.15 / 0.26	0.15 / 0.26	0.15 / 0.26
5.07	Gradeability, with/without load	%	5 / 15	5 / 15	5 / 15
5.10	Service brakes (mechanical/hydraulic/electric/pneumatic)		Electric	Electric	Electric
Electric motors					
6.01	Drive motor capacity (60 min. short duty)	kW	2.2	2.2	2.2
6.02	Lift motor output at 15% duty factor	kW	3.0	3.0	3.0
6.04	Battery voltage/capacity at 5-hour discharge	V/Ah	24 / 375 - 465	24 / 375 - 465	24 / 375 - 465
6.05	Battery weight	kg	280 - 360	280 - 360	280 - 360
Miscellaneous					
8.01	Type of drive control		Stepless	Stepless	Stepless
8.04	Noise level, mean value at operator's ear (EN 12053)	dB(A)	64	64	64

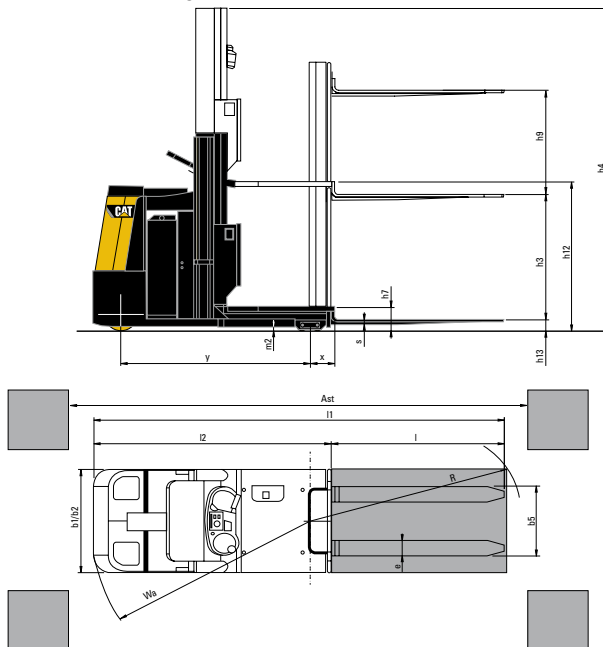
Ast = Wa + R + a
 Ast = Working aisle width
 Wa = Turning radius
 a = Safety clearance = 2 x 100 mm
 $R = \sqrt{(l6 + x)^2 + (b12 / 2)^2}$



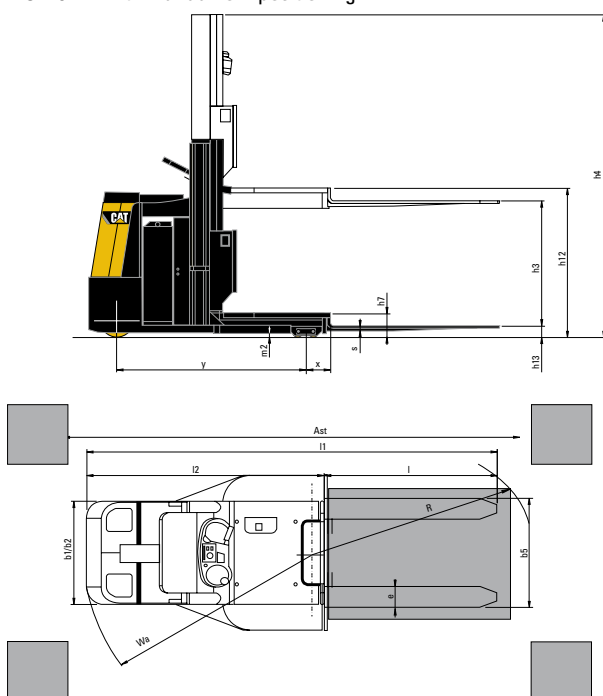
NOL10N: basic model



NOL10NF: with rising forks



NOL10NV: with manual fork positioning



Lower Cost of Ownership

- Smooth, progressive, easy to use controls and comfortable, adjustable seats enhance operator concentration leading to better shift productivity.
- AC-drive technology means longer service intervals, reducing the total cost of ownership.
- Battery discharge indicator (BDI) incorporates lift cut-out for battery protection.

Unmatched Productivity

- First and second level orderpicking applications.
- NOL10NV has variable width across the forks.
- NOL10NF features 'ergolift' to position the picking pallet at a comfortable working height.
- Platform lift to 1150 mm.
- Fast acceleration and excellent maneuverability giving high productivity.
- Standard PIN code start-up, and driver specific settings.
- Counterbalanced nature of the truck's design gives a short turning circle and exceptional manoeuvrability.
- Regenerative braking feeds power back into the battery.
- No support legs allows for picking on all kinds of load carriers.
- LCD display with all relevant information (Drive wheel direction, driving speed, battery discharge, errors and warnings, service access).
- Large battery for longer shift-life.
- Battery roller as standard for quick battery change.
- Quick troubleshooting for engineer through service menu and fault code memory.
- Features an intuitive, easy to navigate driver's menu and easy to operate controls.
- Standard picklist holder.

Safety and Ergonomics

- Automatic steering wheel centering.
- Walk-by-side drive buttons, with in-built safety features.
- Ergonomically designed 360° electric steering gives precise control at speed.
- Proportional lifting and lowering of the platform gives greater operator comfort.
- Low step-in and good on-off access.
- Service counter indicating "time to next scheduled maintenance".
- Rubber anti-slip mat.
- Spacious operator platform.
- Automatic speed reduction in curves, for safe and secure handling.

Options

- Rubber bumper.
- Key switch instead of PIN code.

Cat® Lift Trucks.

Your partner in materials handling.

Since the 1960's we have been producing lift trucks designed to last and built to perform in some of the toughest environments in the world.

Today those brand values of ruggedness, durability and serviceability are at the core of our complete range of lift truck and warehouse equipment.

Together with our dealer network we are dedicated to providing customers with comprehensive materials handling solutions and cost-effective machine selection.

Our 'off the shelf' parts availability in excess of 95% is the highest in the industry and is supported by online access to our other centralized departments in the USA, Singapore and Japan to provide a truly global service.

We offer a variety of warranties and maintenance contracts tailored to your specific needs. Cat-trained service technicians respond quickly and efficiently when required, to keep your materials handling operation running smoothly and profitably.

To help spread the cost of ownership we also provide a full range of finance and rental options.

For customers with continental operations our 'International Fleet Sales & Services' department delivers the benefits of the global Cat Lift Trucks network, through a single point of contact.

For cost-effective solutions, or to find your nearest dealer, contact Cat Lift Trucks, your partner in materials handling.



info@catlifttruck.com

www.catlifttruck.com

WESC1490(07/12)ok

©2012, MCFE. All rights reserved.

CAT, CATERPILLAR, their respective logos, 'Caterpillar Yellow' and the 'Power Edge' trade dress, as well as corporate and product identity used herein, are trademarks of Caterpillar and may not be used without permission.

Printed in The Netherlands

NOTE: Performance specifications may vary depending on standard manufacturing tolerances, vehicle condition, types of tyres, floor or surface conditions, applications, or operating environment. Trucks may be shown with non-standard options. Specific performance requirements and locally available configurations should be discussed with your Cat lift trucks Dealer. Cat Lift Trucks follows a policy of continual product improvement. For this reason, some materials, options and specifications could change without notice.

CAT® Lift
Trucks