

NOM10P

NOH12PH



**RAISE YOUR AIMS**

**PRELIMINARY SPECIFICATIONS**

**MEDIUM- & HIGH-LEVEL ORDER PICKERS** 24/48V, 1.0 - 1.25 TONNES





# TOP RESULTS IN HIGH RACKING

OPTIMISE THE BENEFITS OF NARROW AISLES AND HIGH RACKING WITH ONE OF THESE MEDIUM- OR HIGH-LEVEL ORDER PICKERS. BASED ON THE SAME RUGGED, MODULAR, LOW-MAINTENANCE DESIGN, THEY ARE SPECIFIED FOR MAXIMUM OUTPUT AND PROFITABILITY.



**Heavy duty 48V NOH12PH reaches picking locations as high as 12.1 m and has an unequalled 1.25 tonne capacity. Pick height for 24V NOM10P goes up to 9.85 m.**



**Advanced, user-friendly interface features a right-hand control unit providing excellent anatomical fit, positional adjustment, grip and support, for comfortable and precise operation. Meanwhile, the left hand stays firmly on the Midi steering wheel.**



**Position of the optional comfort cushion can be adjusted to driver's preference for leaning or sitting during travel. Optimised cabin size and shape combine space and comfort with easy reach of controls while resting against back support.**



**Cushioned, high-grip mat covers whole-floor driver presence sensor. Operation is permitted from any standing position. Walk-through access is quick and free of tripping hazards, thanks largely to the absence of a traditional 'deadman pedal'.**

## LOWER COST OF OWNERSHIP

- Rugged modular design extends truck life and simplifies replacement of parts.
- Latest AC drive motor technology provides greater torque, efficiency and control, with minimal maintenance.
- PIN code log-in prevents unauthorised use.
- ATC t4 onboard computer and display enables clear status information and fault warnings, quick diagnostics and easy driver settings.
- ECO mode can be selected to slow operation slightly while saving significantly (about 5-6%) on energy consumption.
- Easy access to motor, battery and other components speeds up checks and servicing.

## UNMATCHED PRODUCTIVITY

- High lifting – maximum 8.25 m for medium and 10.5 m for high level – accesses picking locations up to 9.85 or 12.1 m to optimise usage of racking capacity.
- Heavy duty specification of high-level model, with unequalled 1.25 tonne capacity, maximises output.
- Choice of four main performance modes matches settings with different drivers, applications and preferences.
- Battery discharge indicator (BDI) allows recharging to be planned with minimum disruption to work.

## SAFETY AND ERGONOMICS

- Two-piece control panel is integrated into chassis for a shorter, more compact truck design with more operator space.
- Right-hand control unit provides excellent anatomical fit, positional adjustment, grip and support, for comfortable and precise operation – while left hand stays on the Midi steering wheel.
- Controls at the fork end of the cabin can be specified as an option for further flexibility.
- Whole-floor driver presence sensor with cushioned, high-grip mat permits comfortable truck operation in any standing position, gives easy, obstacle-free, walk-through access and prevents disabling of the 'deadman pedal' function.
- Low step height (215 mm) and two convenient grab handles, for easier entry and exit, save effort and reduce fatigue.
- Optional comfort cushion is adjustable to preferred position for leaning or sitting during travel.
- Cabin size and shape are optimised for comfortable space with easy reach of controls while resting against back support.
- Automatic speed reduction adjusts travel rate according to steered wheel angle and platform height, for stability and safety during turns and high lifts.
- SecurGate side gate system reduces fall risk when used at any height, and prevents truck operation if gates are open above 1.2 m.
- Step-out warning sounds audible alarm and shows message on screen if gates are open when platform is above its lowest position.
- Multiple storage compartments keep operator's equipment close at hand, while avoiding inefficient, hazardous clutter.
- PoweRamic mast and transparent front panels improve view for safe, accurate operation.
- Warning lights inside each straddle leg and on the truck's front corners enhance visibility.
- Steel battery rollers ensure quick and safe changeovers.
- Overhead guard adds safety and can be used for simple attachment of accessories.



# STANDARD EQUIPMENT AND OPTIONS

	NOM10P	NOH12PH
<b>GENERAL</b>		
Micro-computer incl. Hour meter and battery indicator	●	●
PIN code log in, 100 codes	●	●
Key switch entry	○	○
Display incl. Steering wheel indicator	●	●
Drive and lift controls on mast side	●	●
Operators presence sensor in floor	●	●
Cornering control	●	●
Two hand operation in guided aisles	●	●
Platform with LiftComfort and fixed forks	●	●
SecurGate gates	●	●
Warning light	●	●
<b>GUIDANCE</b>		
Rail guidance	○	○
Wire guidance	○	○
<b>DESCENDER DEVICE</b>		
Descender device	●	●
High specification escape device	○	○
<b>ENVIRONMENT</b>		
Chill store design, with rust protected axles	●	●
Cold store design, 0C° to -35C°	○	○
<b>DRIVE, LIFT CONTROLS</b>		
On fork side	○	○
On fork and mast side	○	○
Extra buttons for LiftComfort (mast side)	○	○
<b>COMPUTER EQUIPMENT</b>		
Truck fleet management	○	○
Automatic log off	○	○
Service alarm	○	○
Battery creep speed	○	○
<b>DRIVE AND LIFT STOP</b>		
Drive stop	○	○
Lift stop with/without restart	○	○
<b>SAFETY</b>		
Finger guards toward mast	○	○
Gate interlock, <1200mm platform height	○	○
Gate open audible warning, >415mm platform lift	○	○
Prepared for Personal Protection System, PPS	○	○
End of aisle reduced speed options	○	○

● Standard ○ Option

# STANDARD EQUIPMENT AND OPTIONS CONTINUED

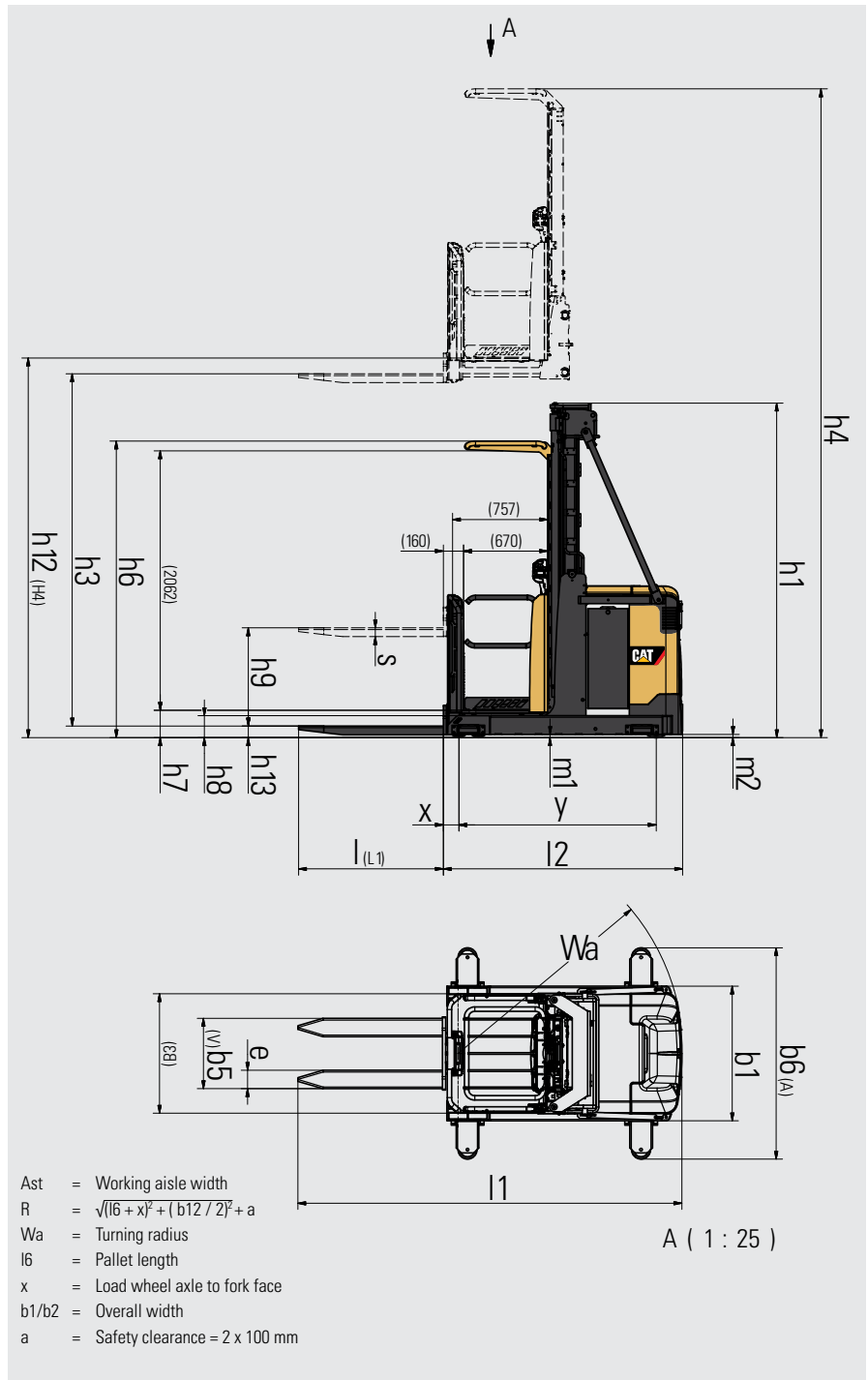
OTHER	NOM10P	NOH12PH
Mini steering wheel	○	○
Key switch entry	○	○
Light in cabin, for racks	○	○
Light in cabin, for interior	○	○
Radio with MP3	○	○
Converter 24 - 12V, 8A, 96Woutlet	○	○
12V DC power socket, Cigarette power outlet	○	○
Equipment holder, RAM system, Size C	○	○
Foldable drivers cushion	○	○
Converter 24 - 12V, 8A, 96Woutlet	○	○
Comfort fan for driver	○	○
Extra storage in platform	○	○
Fire extinguisher	○	○

● Standard    ○ Option

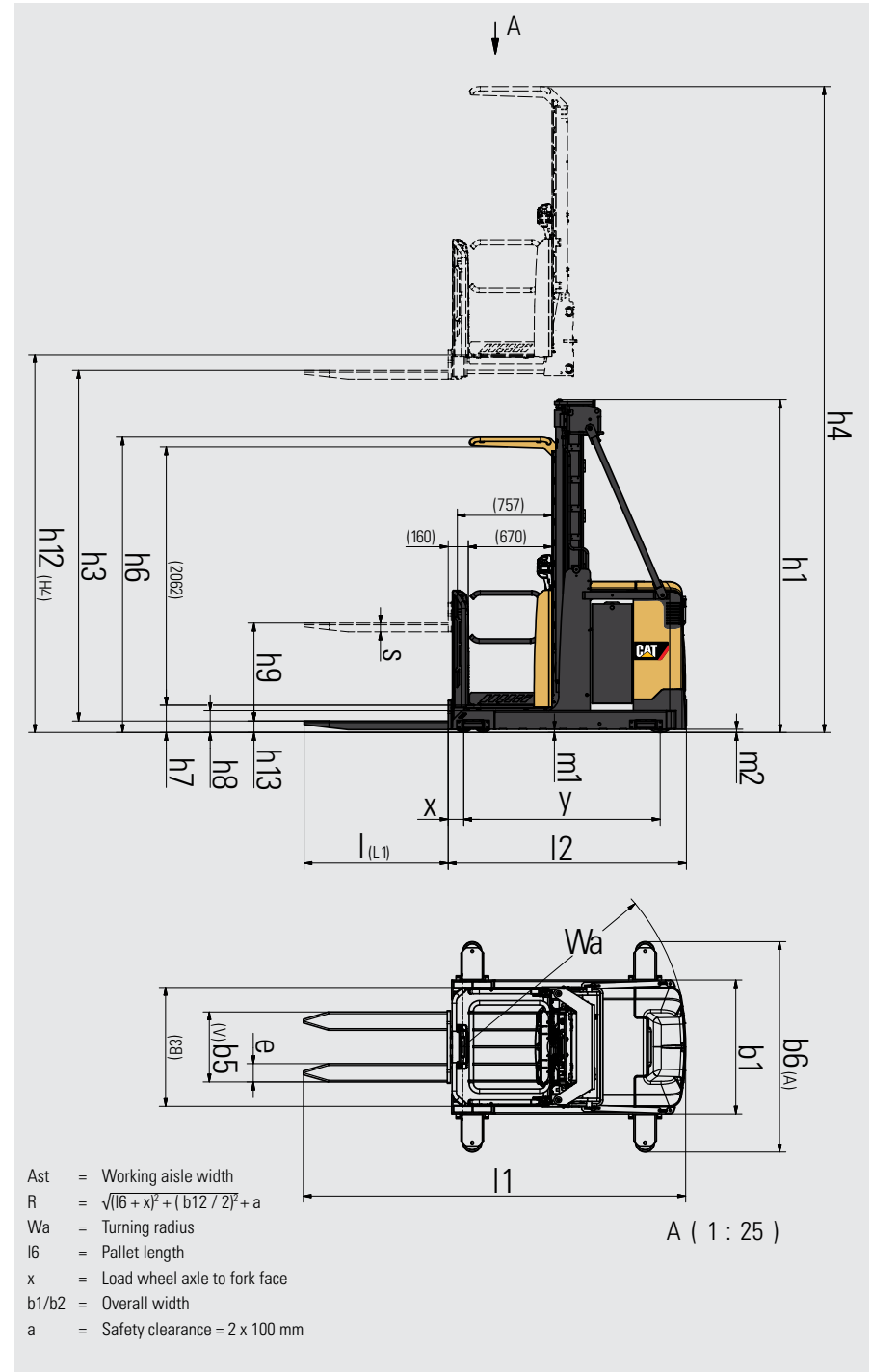


Characteristics		
1.1	Manufacturer	
1.2	Manufacturer's model designation	
1.3	Power source: (battery, diesel, LP gas, petrol)	
1.4	Operator type: pedestrian, (operator)-standing, -seated	
1.5	Load capacity	Q (kg)
1.6	Load center distance	c (mm)
1.8	Load wheel axle to fork face (forks lowered)	x (mm)
1.9	Wheelbase	y (mm)
Weight		
2.1	Truck weight with load, with maximum battery weight	kg
2.2	Axle loadings with nominal load & maximum battery weight, drive/load side	kg
2.3	Axle loadings without load & with maximum battery weight, drive/load side	kg
Wheels, Drive Train		
3.1	Tyres: PT=Power Thane, Vul=Vulkollan, drive/load side	
3.2	Tyre dimensions, drive side	(mm)
3.3	Tyre dimensions, load side	(mm)
3.5	Number of wheels, load/drive side (x=driven)	
3.7	Track width (center of tyres), load side	b11 (mm)
Dimensions		
4.2	Height with mast lowered	h1 (mm)
4.4	Lift height (without h9)	h3 (mm)
4.5	Height with mast extended	h4 (mm)
4.7	Height to top of overhead guard	h6 (mm)
4.8	Seat- or stand height	h7 (mm)
4.10	Height of support legs	h8 (mm)
4.11	Supplementary lift	h9 (mm)
4.14	Platform height, raised	h12 (mm)
4.15	Fork height, fully lowered	h13 (mm)
4.19	Overall length	l1 (mm)
4.20	Length to fork face	l2 (mm)
4.21	Overall width	b1 (mm)
4.22	Fork dimensions (thickness, width, length)	s/e/l (mm)
4.24	Fork carriage width	b3 (mm)
4.25	Outside width over forks (minimum-maximum.)	b5 (mm)
4.27	Width over guide rollers (minimum-maximum.)	b6 (mm)
4.32	Ground clearance at center of wheelbase, (forks lowered)	m2 (mm)
4.33	Working aisle width (Ast) with 1000 x1200 mm pallets, (l6 * b12) load crosswise	Ast (mm)
4.34	Working aisle width (Ast) with 800 x1200 mm pallets, (l6 * b12) load lengthwise	Ast (mm)
4.35	Turning radius	Wa (mm)
Performance		
5.1	Travel speed, with/without load	km/h
5.2	Lifting speed, with/without load	m/s
5.3	Lowering speed, with/without load	m/s
5.8	Maximum gradeability, with/without load	%
5.9	Acceleration time (10 metres) with/without load	s
5.10	Service brake	
Electric Motors		
6.1	Drive motor capacity (60 min. short duty)	kW
6.2	Lift motor output at 15% duty factor	kW
6.3	Battery to DIN 43 531/35/36 A/B/C/no	
6.4	Battery voltage/capacity at 5-hour discharge	V/Ah
6.5	Battery weight	kg
Miscellaneous		
8.1	Type of drive control	
10.7	Level of noise at the ear level of the driver according to EN 12 053:2001 and EN ISO 4871, drive/lift/idle LpAZ	dB(A)

Cat Lift Trucks	Cat Lift Trucks
NOM10P DUPLEX MASTO	NOM10P TRIPLEX FREE LIFT MASTO
Battery	Battery
Stand-on	Stand-on
1000	1000
600	600
125	204
1568	1568
"3050 kg + 96 x h12 (m)"	"3260 kg + 91,5 x h12 (m)"
1100/2800	1210/2910
1660/1250	1790/1330
Vul/Vul	Vul/Vul
250*105	250*105
150*55	150*55
8/1x	8/1x
806/906/1006	906/1006
h12/2-592	h12/3-637
3285-7185	4885-8035
h12+2140	h12+2160
2356	2356
215-h12	215-h12
175	175
775	775
3500-7400	5100-8250
90	90
3055	3135
1903	1982
"970/1070/1170"	"1070/1170"
"70/147/1150"	"70/147/1150"
560	560
450-800	450-800
1148-1814	1248-1814
25	25
Platform or load width + 90mm clearance/each side	Platform or load width + 90mm clearance/each side
Platform or load width + 90mm clearance/each side	Platform or load width + 90mm clearance/each side
1790	1790
11/11	11/11
0,21/0,32	0,26/0,37
0,4/0,4	0,43/0,45
7.1	7.1
6,3/5,8	6,3/5,8
Regenerative and electrical	Regenerative and electrical
Mahle 2,7	Mahle 2,7
8 (20%)	8 (20%)
BS	BS
24/560-775	24/560-775
890 - 1125	890 - 1125
AC Traction	AC Traction
57	57



Characteristics			
1.1	Manufacturer		Cat Lift Trucks
1.2	Manufacturer's model designation		<b>NOH12PH</b>
1.3	Power source: (battery, diesel, LP gas, petrol)		Battery
1.4	Operator type: pedestrian, (operator)-standing, -seated		Stand-on
1.5	Load capacity	Q (kg)	1250
1.6	Load center distance	c (mm)	600
1.8	Load wheel axle to fork face (forks lowered)	x (mm)	126
1.9	Wheelbase	y (mm)	1760
Weight			
2.1	Truck weight with load, with maximum battery weight	kg	"2950 kg + 97 x h12 (m)"
2.2	Axle loadings with nominal load & maximum battery weight, drive/load side	kg	1780/3510
2.3	Axle loadings without load & with maximum battery weight, drive/load side	kg	2390/1650
Wheels, Drive Train			
3.1	Tyres: PT=Power Thane, Vul=Vulkollan, drive/load side		Vul/Vul
3.2	Tyre dimensions, drive side	(mm)	355*155
3.3	Tyre dimensions, load side	(mm)	150*55
3.5	Number of wheels, load/drive side (x=driven)		8/1x
3.7	Track width (center of tyres), load side	b11 (mm)	1006/1186
Dimensions			
4.2	Height with mast lowered	h1 (mm)	h12/3+770
4.4	Lift height	h3 (mm)	5785-10285
4.5	Height with mast extended	h4 (mm)	h12+2160
4.7	Height to top of overhead guard	h6 (mm)	2356
4.8	Seat- or stand height	h7 (mm)	215-h12
4.10	Height of support legs	h8 (mm)	175
4.11	Supplementary lift	h9 (mm)	775
4.14	Platform height, raised	h12 (mm)	6000-10500
4.15	Fork height, fully lowered	h13 (mm)	90
4.19	Overall length with fork l = 1150	l1 (mm)	3290
4.20	Length to fork face	l2 (mm)	2139
4.21	Overall width	b1 (mm)	1170/1350
4.22	Fork dimensions (thickness, width, length)	s/e/l (mm)	"70/147/1150"
4.24	Width of fork carriage	b3 (mm)	560
4.25	Outside width over forks (minimum-maximum.)	b5 (mm)	450-800
4.27	Width over guide rollers (minimum-maximum.)	b6 (mm)	1348-1814
4.32	Ground clearance at center of wheelbase, (forks lowered)	m2 (mm)	25
4.34a	Working aisle width (Ast) with 800 x 1200 mm pallets, load lengthwise	Ast (mm)	Platform or load width + 90mm clearance/each side
4.35	Turning radius	Wa (mm)	2020
4.41	Transfer aisle width (pallet 1000 x 1200 mm lengthwise & 200mm clearance)	l8 (mm)	
Performance			
5.1	Travel speed, with/without load	km/h	12/12
5.2	Lifting speed, with/without load	m/s	0,36/0,44
5.3	Lowering speed, with/without load	m/s	0,41/0,45
5.8	Maximum gradeability, with/without load	%	6.2
5.9	Acceleration time (10 metres) with/without load	s	5,5/5,2
5.10	Service brake		Regenerative and electrical
Electric Motors			
6.1	Drive motor capacity (60 min. short duty)	kW	5.9
6.2	Lift motor output at 15% duty factor	kW	11
6.3	Battery to DIN 43 531/35/36 A/B/C/no		DIN 43531 B
6.4	Battery voltage/capacity at 5-hour discharge	V/Ah	48/500-620
6.5	Battery weight	kg	890-1125
Miscellaneous			
8.1	Type of drive control		AC Traction
10.7	Level of noise at the ear level of the driver according to EN 12 053:2001 and EN ISO 4871, drive/lift/idle LpAZ	dB(A)	65



NOM10P			
Mast Type	h12	h1	h = h12-125+775
	mm	mm	mm
	Platform floor height	Closed mast height	fork height LiftComfort raised
Duplex	3600	2392	4250
	4000	2592	4650
	4400	2792	5050
	4700	2942	5350
	5000	3092	5650
	5400	3292	6050
	5800	3492	6450
	6200	3692	6850
	6600	3892	7250
	7000	4092	7650
	7400	4292	8050
Triplex Free Lift	5200	2370	5850
	5500	2470	6150
	6100	2670	6750
	6550	2820	7200
	7000	2970	7650
	7800	3237	8450
	8250	3387	8900

mL ≤ 25 mm	mL ≤ 25 mm	mL ≤ 25 mm
B=970	B=1070	B=1170
Q @ c = 400-600mm kg	Q @ c = 400-600mm kg	Q @ c = 400-600mm kg
1000	1000	1000
1000	1000	1000
1000	1000	1000
1000	1000	1000
1000	1000	1000
1000	1000	1000
-	1000	1000
-	1000	1000
-	-	1000
-	-	800
-	-	650
N/A	1000	1000
N/A	1000	1000
N/A	1000	1000
N/A	-	1000
N/A	-	800
N/A	-	650
N/A	-	600

Load deration based on load evenly spread along the forks  
 Load deration on request when LC >600 mm  
 mL = is ground clearance

Standard lift heights are limited by truck width.  
 Therefore residual capacity is shown at maximum standard lift height for the relative truck width. B = is chassis width.  
 Other higher options may be available but subject to special design

## Mast Performance and Capacity

- h1 Closed mast height
- h12 Lift height
- h Fork height LiftComfort raised
- B Chassis width
- Q Lifting capacity, rated load
- c Load centre (distance)

NOH12PH			
Mast Type	h12	h1	h = h12-125+775
	mm	mm	mm
	Platform floor height	Closed mast height	fork height LiftComfort raised
Triplex Free Lift	6000	2770	6650
	6750	3020	7400
	7500	3270	8150
	(7750)	3353	8400
	8250	3520	8900
	(8500)	3603	9150
	9000	3770	9650
	9750	4020	10400
	(10000)	4103	10650
	10500	4270	11150

mL ≤ 15 mm	mL ≤ 15 mm
B=1170	B=1350
Q @ c = 400-600mm kg	Q @ c = 400-600mm kg
1250	1250
1250	1250
1250	1250
1100	1250
900	1250
850	1250
750	1250
-	1100
-	1000
-	900

( ) = Non standard mast, only to show capacity  
 Load deration based on load evenly spread along the forks  
 Load deration on request when LC >600 mm  
 mL = is ground clearance

Standard lift heights are limited by truck width.  
 Therefore residual capacity is shown at max. standard lift height for the relative truck width.  
 Other higher options may be available but subject to special design.

All capacities are based on VNA standard floors where ground clearance is not greater than 15 mm.  
 If adjustable lugs are altered to be greater than 15mm then capacity will be reduced

[info@catliftruck.com](mailto:info@catliftruck.com) | [www.catliftruck.com](http://www.catliftruck.com)

WESC1917(07/18) ©2018, MCFE. All Rights Reserved. CAT, CATERPILLAR, BUILT FOR IT, their respective logos, "Caterpillar Yellow," the "Power Edge" trade dress as well as corporate and product identity used herein, are trademarks of Caterpillar and may not be used without permission.

NOTE: Performance specifications may vary depending on standard manufacturing tolerances, vehicle condition, types of tyres, floor or surface conditions, applications, or operating environment. Trucks may be shown with non-standard options. Specific performance requirements and locally available configurations should be discussed with your Cat lift trucks Dealer. Cat Lift Trucks follows a policy of continual product improvement. For this reason, some materials, options and specifications could change without notice.



DOWNLOAD  
BROCHURE



WATCH  
VIDEOS



DOWNLOAD  
OUR APP

