



- NR16N3
- NR16N3H
- NR16N3HS
- NR20N3
- NR20N3H
- NR20N3HX
- NR25N3H

PERFECTLY FITTED TO DRIVE PROFIT

SPECIFICATIONS
REACH TRUCKS 48V, 1.6 - 2.5 TONNES

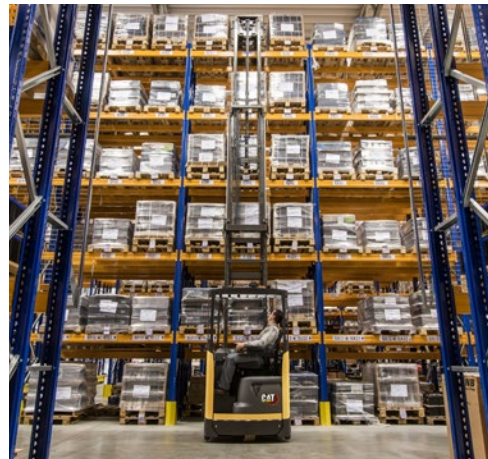


EQUIPPED FOR SUSTAINED PRODUCTIVITY

CAT® LIFT TRUCKS EXPANDS CHOICE IN ITS COMPREHENSIVE REACH TRUCK RANGE BY ADDING SIX NR-N3 STANDARD AND HEAVY DUTY MODELS. ERGONOMICALLY AND COMFORTABLY EQUIPPED FOR LONG HOURS IN THE DRIVING SEAT, THEY MAXIMISE YOUR PROFITS WITH HIGH THROUGHPUT AND LOW DOWNTIME EXPENSE.



For a comfortable, tailored fit, the truck's armrests and even its floor height are adjustable. *Palm Steering* and a multifunctional joystick allow relaxed but precise operation, while a tilting seat reduces strain when viewing loads at height.



Fast but smooth and safe action is assured by automatic drive and hydraulic motion speed controls which adapt to steering angle and lifting height. The Mast Tilt Control (MTC) damping system – minimising delays and improving stability – is standard or optional depending on mast choice.



To minimise downtime and maintenance costs, the trucks are robustly constructed, fitted with a user-friendly display and onboard diagnostics, and designed for quick service access. Total cost of operation can be reduced even further with the high-efficiency, long-life, virtually maintenance-free Li-ion battery option.



Along with standard duty models, choices include high-performance trucks for heavier duties and an 'X' model for heavy and extra high lifting – up to 12.1 metres. Each can be matched perfectly to its application thanks to a long list of options.

LOWER COST OF OWNERSHIP

- Robust construction minimises damage and wear, even in demanding multi-shift operations.
- Heavy duty drive wheel is highly durable and easy to maintain, with a larger diameter, extra width and unique tread design which increase grip and stability as well as lifetime.
- User-friendly display encourages correct use of truck.
- PIN code identification and programmability prevent unauthorised use and allow matching of truck performance settings to driver experience and application.
- Easy battery access enables driver to make quick checks without leaving the truck.
- Fast service access to systems and components reduces downtime.
- Li-ion battery option adds even greater efficiency and runtime, along with minimal maintenance needs and much longer life, for lower long-term total cost of operation (TCO).

UNMATCHED PRODUCTIVITY

- Automatic drive speed reduction makes smooth adjustments according to steering angle and fork height to maintain stability, safety and confidence when cornering or carrying raised loads.
- Automatic hydraulic motion control optimises lift, lower, reach, tilt and side shift speeds according to lift height and keeps all movements smooth, quiet and precise.
- Mast Tilt Control (MTC) damping system reduces oscillations by up to 80%, allowing faster and more stable load handling. (Standard on tilting masts with lift heights above 7.25 m. Optional for other tilting masts.)
- Tilting mast reduces aisle width necessary and enhances safety of handling in lifts up to 10 m. (Not available on NR20N3HX, which has fork tilt instead.)
- 360-degree steering option enables fluid turning without stopping to change direction.
- Fast travel and lift speeds come as standard.
- High-performance option increases top speed from 12.5 to 14.5 km/h. (Not available on NR25N3H or NR20N3HX.)
- Motor-powered battery bed option enables exchanges in just one minute, for 24/7 productivity.
- Li-ion option enhances performance and permits fast opportunity charging for continuous operation without battery changes.
- 1070 mm inner width of support legs on NR16N3HS allows easier handling of 1000 x 1200 mm pallets or Euro pallets with sideways overhang.

SAFETY AND ERGONOMICS

- *Palm Steering* on adjustable floating armrest offers relaxed driving position and operation with minimal movement, effort or strain – ideal if driver is seated for long periods.
- Multifunctional joystick with adjustable armrest fits hand perfectly, positions all hydraulic controls optimally, minimises effort and enables precise individual and simultaneous actions.
- Optional fingertip hydraulic controls with adjustable armrest ensure ergonomically perfect hand positioning, anatomical support and free movement.
- Electrically adjustable floor height combines with adjustment of armrests and seat to give the perfect fit for each driver.
- Tilting seat tips back by 18 degrees, to reduce strain when viewing and handling loads at height, and is adapted to the driver's weight.
- Tapered seat backrest enables easier turning of body – with less strain – toward driving direction.
- Spacious driver's compartment with high roof safely and comfortably accommodates users of all sizes.
- Excellent all-round view is enabled by design of mast, fork carriage, overhead bars, pillars and chassis, and by use of dark, non-reflective paint.
- Transparent overhead guard roof option gives unobstructed view of forks and load when handling at height and protects driver from both small and large falling objects.
- Intuitive display keeps drivers fully informed and is optimally positioned and angled for clear viewing.
- Direction control is switched using accelerator pedal, leaving right hand free to concentrate on hydraulic functions.
- Automotive pedal layout is intuitive to car drivers, while 'dead man' safety switch is effortlessly activated by the weight of the left foot.
- Smooth entry and exit are aided by ergonomic grab handles and low intermediate step with non-slip surface.
- Standard safety features include operator presence switch, mast lock system and automatic parking brake.

STANDARD EQUIPMENT AND OPTIONS

	NR16N3	NR16N3H	NR16N3HS	NR20N3	NR20N3H	NR25N3H	NR20N3HX
GENERAL							
Automatic electric parking brake	●	●	●	●	●	●	●
Steering wheel angle indicator	●	●	●	●	●	●	●
Battery indicator with cut-out at 20% remaining battery level	●	●	●	●	●	●	●
Multifunctional colour display	●	●	●	●	●	●	●
Integrated side shift DTFV mast	●	●	●	●	●	●	●
Electrically adjustable floor height	●	●	●	●	●	●	●
Suspension seat with weight-controlled tilting high backrest	●	●	●	●	●	●	●
Increased drive speed 14,5 km/h	○	○	○	○	○	—	—
Chill store design, down to +1° C	●	●	●	●	●	●	●
Paper storage and cup holder	●	●	●	●	●	●	●
Battery reach-out	●	●	●	●	●	●	●
Battery on rollers	○	○	○	○	○	○	○
Motor power battery bed	○	○	○	○	○	○	○
Other RAL colour	○	○	○	○	○	○	○
POWER SOURCE							
Li-ion battery*	○	○	○	○	○	○	○
Lead-acid battery	○	○	○	○	○	○	○
Battery cover plate	○	○	○	○	○	○	○
MAST, FORKS AND CARRIAGE							
Tilting mast	●	●	●	●	●	●	—
Fork tilt	○	○	○	○	○	○	●
Integral fork positioner/side shift DTFV mast	○	○	○	○	○	○	—
Load backrest	○	○	○	○	○	○	○
Load backrest in combination with fork positioner/side shift	○	○	○	○	○	○	—
Mast Tilt Control (MTC) damping system on tilting masts (std with lift heights >7.2 m, option for <7.2 m)	●	●	●	●	●	●	—
Lift stop with/without restart	○	○	○	○	○	○	○
Lift height indicator (std with load-weight-adjusted control option)	○	○	○	○	○	○	○
Level selector	○	○	○	○	○	○	○
Level assistance system, LAS	○	○	○	○	○	○	○
Load weight indicator (std with load-weight-adjusted control option)	○	○	○	○	○	○	○
Fork camera with RLED display	○	○	○	○	○	○	○
Horizontal forks	○	○	○	○	○	○	○
Central position of side shift	○	○	○	○	○	○	○
Automatic hydraulic motion control	●	●	●	●	●	●	●



FULL LI-ION¹⁾ BATTERY INTEGRATION

Full integration of Li-ion battery communication on Cat reach trucks enables all battery-related information to be presented clearly via the truck's inbuilt full-colour display.

1) Li-ion battery option is available in selected regions

* Not in combination with cold store design, 0°C to -30°C

** Not in combination with Li-ion battery

● Standard ○ Option

STANDARD EQUIPMENT AND OPTIONS

	NR16N3	NR16N3H	NR16N3HS	NR20N3	NR20N3H	NR25N3H	NR20N3HX
DRIVE AND LIFT CONTROLS							
Electric-powered <i>Palm Steering</i> unit on floating armrest	●	●	●	●	●	●	●
180-degree steering	●	●	●	●	●	●	●
360-degree steering	○	○	○	○	○	○	○
Active Spin Reduction	○	○	○	○	○	○	○
Automatic drive speed reduction	●	●	●	●	●	●	●
Hands-free direction control, HFDC, via accelerator pedal	●	●	●	●	●	●	●
Hand-operated direction control	○	○	○	○	○	○	○
Multifunctional joystick	●	●	●	●	●	●	●
Fingertip hydraulic control	○	○	○	○	○	○	○
Midi steering wheel	○	○	○	○	○	○	○
Key switch entry	○	○	○	○	○	○	○
Creep speed at preset level 500 mm	○	○	○	○	○	○	○
Creep speed at other levels	○	○	○	○	○	○	○
Load-weight-adjusted functioning of automatic drive speed and hydraulic motion controls	○	○	○	○	○	○	○
ELECTRIC							
Blue/red point safety light, towards driving direction	○	○	○	○	○	○	○
Automatic logoff	○	○	○	○	○	○	○
Working lights LED	○	○	○	○	○	○	○
Working lights LED for cabin	○	○	○	○	○	○	○
Warning light on the roof	○	○	○	○	○	○	○
Warning light for heated cabin	○	○	○	○	○	○	○
12V connector	○	○	○	○	○	○	○
Converter 48 - 12 V	○	○	○	○	○	○	○
Radio with MP3	○	○	○	○	○	○	○
Service alarm	○	○	○	○	○	○	○
OHG AND CABIN							
Heated cabin**	○	○	○	○	○	○	○
Window opening in cabin door (CSM)	○	○	○	○	○	○	○
2-way intercom for cold store cabin (CSM)	○	○	○	○	○	○	○
Transparent overhead guard roof	○	○	○	○	○	○	○
Mesh metal on overhead guard	○	○	○	○	○	○	○
Heated seat – fabric	○	○	○	○	○	○	○
Heated seat – PVC	○	○	○	○	○	○	○
Headrest for seat	○	○	○	○	○	○	○
Rear view mirror	○	○	○	○	○	○	○
Writing desk	○	○	○	○	○	○	○
Equipment holder, RAM system size C	○	○	○	○	○	○	○
Equipment holder, RAM system size C, 2 pcs	○	○	○	○	○	○	○
Equipment holder, RAM system size D	○	○	○	○	○	○	○
WHEEL OPTIONS							
Vulkollan® traction wheel 93 Shore	●	●	●	●	●	—	●
Vulkollan® traction wheel 95 Shore	○	○	○	○	○	●	○
Tractothan® traction wheel 93 Shore	○	○	○	○	○	○	○
Load wheel Ø 230mm	●	○	○	○	○	○	○
Load wheel Ø 285mm	—	●	●	●	●	●	●
Load wheel brakes, incl. Ø 285mm load wheel	—	○	○	○	○	○	○
Load wheel covers	○	○	○	○	○	○	○
ENVIRONMENT							
Cold store design, 0°C to -30°C **	○	○	○	○	○	○	○



Multifunctional joystick.



Optional transparent overhead guard roof.



Optional writing desk.



Optional Midi steering wheel.

* Not in combination with cold store design, 0°C to -30°C

** Not in combination with Li-ion battery

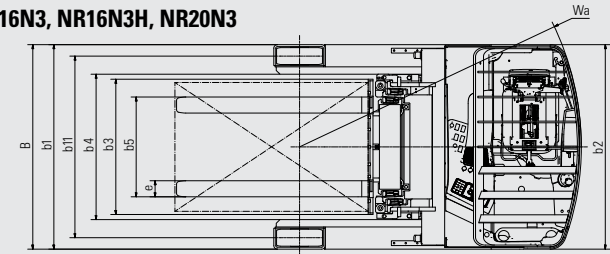
● Standard ○ Option

Characteristics		
1.1	Manufacturer	
1.2	Manufacturer's model designation	
1.3	Power source	
1.4	Operator type	
1.5	Load capacity	Q (kg)
1.6	Load centre distance	c (mm)
1.8	Load wheel axle to fork face (forks lowered)	x (mm)
1.9	Wheelbase	y (mm)
Weight		
2.1b	Truck weight without load, with maximum battery weight	kg
2.3	Axle loadings without load & with maximum battery weight, drive / load side	kg
2.4	Axle loading, mast forward, with nominal load, drive / load side	kg
2.5	Axle loading, mast retracted, with nominal load, drive / load side	kg
Wheels, Drive Train		
3.1	Tyres: PT = Power Thane, Vul = Vulkollan, P = Polyurethane, N = Nylon, R = Rubber drive / load side	
3.2	Tyre dimensions, drive side	Ø (mm)
3.3	Tyre dimensions, load side	Ø (mm)
3.5	Number of wheels, load / drive side (x = driven)	
3.7	Track width (centre of tyres), load side	b11 (mm)
Dimensions		
4.1	Fork tilt, forwards / backwards	∂/β °
4.2a	Height with mast lowered	h1 (mm)
4.3	Free lift	h2 (mm)
4.4	Lift height	h3 (mm)
4.5	Height with mast extended	h4 (mm)
4.7	Height to top of overhead guard	h6 (mm)
4.8	Seat or stand height	h7 (mm)
4.10	Height of support legs	h8 (mm)
4.15	Fork height, fully lowered	h13 (mm)
4.19	Overall length	l1 (mm)
4.20	Length to fork face	l2 (mm)
4.21	Overall width	b1/b2 (mm)
4.22	Fork dimensions (thickness, width, length)	s / e / l (mm)
4.23	Fork carriage to DIN	
4.24	Fork carriage width	b3 (mm)
4.25	Outside width over forks (minimum / maximum)	b5 (mm)
4.26	Inner width of support legs	b4 (mm)
4.28	Mast reach	l4 (mm)
4.32	Ground clearance at centre of wheelbase, (forks lowered)	m2 (mm)
4.33a	Working aisle width (Ast) with 1000 x 1200 mm pallets, load crosswise	Ast (mm)
4.34a	Working aisle width (Ast) with 800 x 1200 mm pallets, load lengthwise	Ast (mm)
4.35	Turning radius	Wa (mm)
4.37	Truck length including support legs	l7 (mm)
Performance		
5.1	Travel speed, with /without load	km / h
5.2	Lifting speed, with /without load	m / s
5.3	Lowering speed, with /without load	m / s
5.5	Rated drawbar pull, with /without load	N
5.8	Maximum gradeability with /without load	%
5.9	Acceleration time (10 metres) with /without load	s
5.10	Service brakes (mechanical /hydraulic /electric /pneumatic)	
Electric motors		
6.1	Drive motor capacity (60 min. short duty)	kW
6.2	Lift motor output at 15% duty factor	kW
6.4	Battery voltage/capacity at 5-hour discharge	V / Ah
6.5	Battery weight	kg
6.6b	Energy consumption according to VDI 60 cycle	kW / h
Miscellaneous		
8.1	Type of drive control	
10.1	Maximum operating pressure for attachments	bar
10.2	Oil flow for attachments	l / min
10.7	Level of noise at the ear level of the driver according to EN 12 053:2001 and EN ISO 4871 in work LpZ	dB(A)

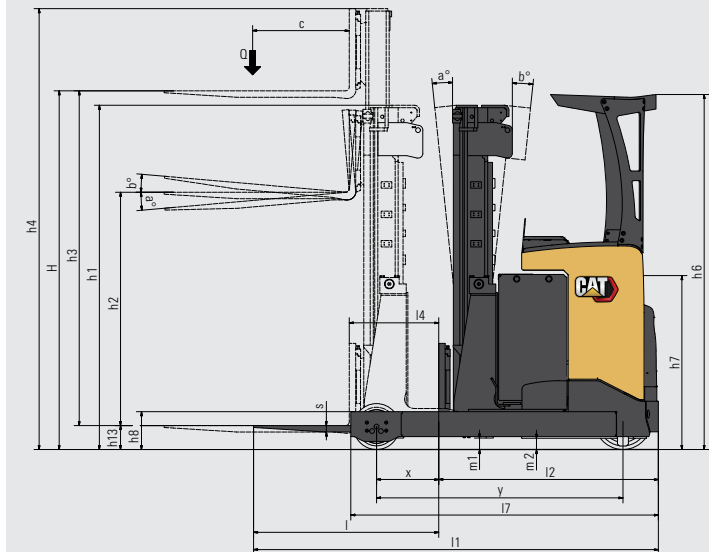
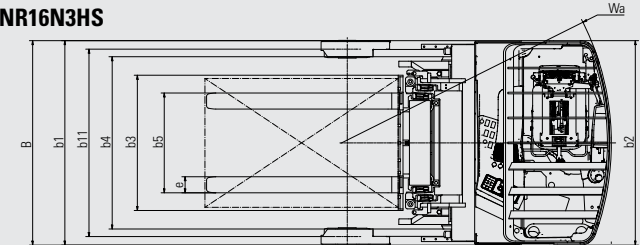
Cat Lift Trucks	Cat Lift Trucks	Cat Lift Trucks	Cat Lift Trucks
NR16N3	NR16N3H	NR16N3HS	NR20N3
Battery	Battery	Battery	Battery
Sit-on	Sit-on	Sit-on	Sit-on
1600	1600	1600	2000
600	600	600	600
See table	See table	See table	See table
1448	1420	1420	1530
3590	4320	4220	4140
2000 / 1190	2360 / 1760	2556 / 1930	2290 / 1450
650 / 4140	1040 / 4680	1106 / 4985	550 / 5190
1750 / 3040	1900 / 3820	2041 / 3965	2040 / 3700
Vul	Vul	Vul	Vul
355 x 155	355 x 155	355 x 155	355 x 155
285 x 105	285 x 105	285 x 75	285 x 105
2 / 1 x	2 / 1 x	2 / 1 x	2 / 1 x
1128	1128 / 1255	1157	1128 / 1255
1 / 4	1 / 4	1 / 4	1 / 4
See table	See table	See table	See table
See table	See table	See table	See table
See table	See table	See table	See table
See table	See table	See table	See table
2205	2205	2205	2205
1153 ¹⁾	1153 ¹⁾	1153 ¹⁾	1153 ¹⁾
235	235	305	235
65	65	65	65
See table	See table	See table	See table
See table	See table	See table	See table
1270	1270 ¹²⁾	1270	1270 ¹²⁾
40 / 100 / 1150	40 / 100 / 1150	40 / 100 / 1150	40 / 100 / 1150
FEM 2A	FEM 2A	FEM 2A	FEM 2A
830	830	830	830
316 - 697	316 - 697	316 - 697	316 - 697
912	903 ¹⁰⁾	1070	903 ¹⁰⁾
See table	See table	See table	See table
70	70	70	70
See table	See table	See table	See table
See table	See table	See table	See table
See table	See table	See table	See table
1800	1800	1803	1910
7.2	7.2	7.2	7.2
15	15	15	15
48 - 465 / 620 / 775	48 - 620 / 775	48 - 465 / 620 / 775	48 - 620 / 775 / 930
712 / 892 / 1063	892 / 1063	712 / 892 / 1063	892 / 1063 / 1240
5.3	5.3	5.3	5.3
Stepless	Stepless	Stepless	Stepless
150	150	150	150
25	25	25	25
60.8	60.8	60.8	60.8

Ast = Working aisle width
 Ast = $Wa + \sqrt{(l6 - x)^2 + (b12 / 2)^2} + a$
 Wa = Turning radius
 l6 = Pallet length (1200 mm)
 x = Load wheel axle to fork face
 b12 = Pallet width (800 or 1000 mm)
 a = Safety clearance = 2 x 100 mm

NR16N3, NR16N3H, NR20N3



NR16N3HS

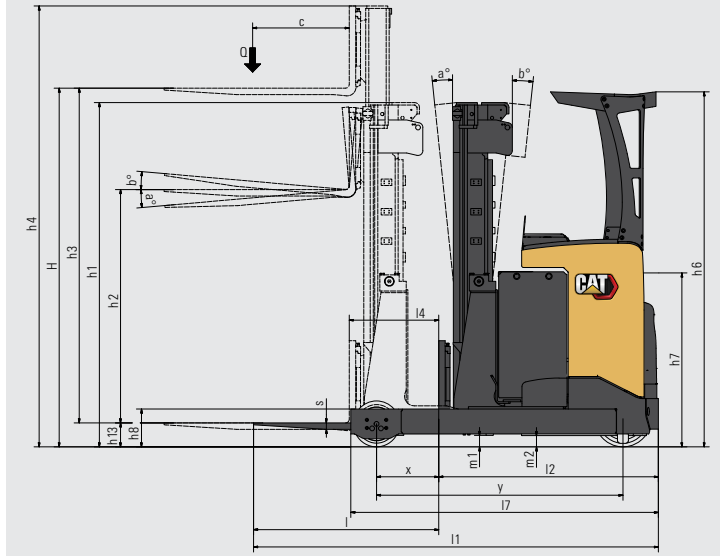
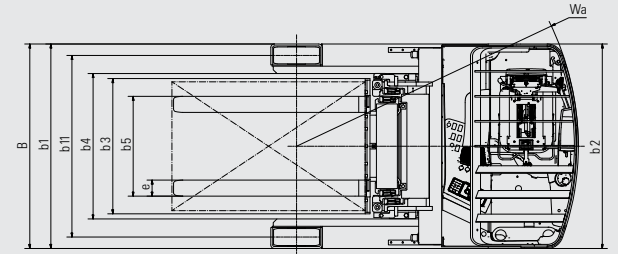


1) Measured with standard seat to SIP point
 10) Inner width of 1030mm available
 12) b1 1397mm if inner width is 1030mm

Characteristics		
1.1	Manufacturer	
1.2	Manufacturer's model designation	
1.3	Power source	
1.4	Operator type	
1.5	Load capacity	Q (kg)
1.6	Load centre distance	c (mm)
1.8	Load wheel axle to fork face (forks lowered)	x (mm)
1.9	Wheelbase	y (mm)
Weight		
2.1b	Truck weight without load, with maximum battery weight	kg
2.3	Axle loadings without load & with maximum battery weight, drive / load side	kg
2.4	Axle loading, mast forward, with nominal load, drive / load side	kg
2.5	Axle loading, mast retracted, with nominal load, drive / load side	kg
Wheels, Drive Train		
3.1	Tyres: PT = Power Thane, Vul = Vulkollan, P = Polyurethane, N = Nylon, R = Rubber drive / load side	
3.2	Tyre dimensions, drive side	Ø (mm)
3.3	Tyre dimensions, load side	Ø (mm)
3.5	Number of wheels, load / drive side (x = driven)	
3.7	Track width (centre of tyres), load side	b11 (mm)
Dimensions		
4.1	Fork tilt, forwards / backwards	∂/ℓ °
4.2a	Height with mast lowered	h1 (mm)
4.3	Free lift	h2 (mm)
4.4	Lift height	h3 (mm)
4.5	Height with mast extended	h4 (mm)
4.7	Height to top of overhead guard	h6 (mm)
4.8	Seat or stand height	h7 (mm)
4.10	Height of support legs	h8 (mm)
4.15	Fork height, fully lowered	h13 (mm)
4.19	Overall length	l1 (mm)
4.20	Length to fork face	l2 (mm)
4.21	Overall width	b1/b2 (mm)
4.22	Fork dimensions (thickness, width, length)	s / e / l (mm)
4.23	Fork carriage to DIN	
4.24	Fork carriage width	b3 (mm)
4.25	Outside width over forks (minimum / maximum)	b5 (mm)
4.26	Inner width of support legs	b4 (mm)
4.28	Mast reach	l4 (mm)
4.32	Ground clearance at centre of wheelbase, (forks lowered)	m2 (mm)
4.33a	Working aisle width (Ast) with 1000 x 1200 mm pallets, load crosswise	Ast (mm)
4.34a	Working aisle width (Ast) with 800 x 1200 mm pallets, load lengthwise	Ast (mm)
4.35	Turning radius	Wa (mm)
4.37	Truck length including support legs	l7 (mm)
Performance		
5.1	Travel speed, with /without load	km / h
5.2	Lifting speed, with /without load	m / s
5.3	Lowering speed, with /without load	m / s
5.5	Rated drawbar pull, with /without load	N
5.8	Maximum gradeability with /without load	%
5.9	Acceleration time (10 metres) with /without load	s
5.10	Service brakes (mechanical /hydraulic /electric /pneumatic)	
Electric motors		
6.1	Drive motor capacity (60 min. short duty)	kW
6.2	Lift motor output at 15% duty factor	kW
6.4	Battery voltage/capacity at 5-hour discharge	V / Ah
6.5	Battery weight	kg
6.6b	Energy consumption according to VDI 60 cycle	kW / h
Miscellaneous		
8.1	Type of drive control	
10.1	Maximum operating pressure for attachments	bar
10.2	Oil flow for attachments	l / min
10.7	Level of noise at the ear level of the driver according to EN 12 053:2001 and EN ISO 4871 in work LpAZ	dB (A)

	Cat Lift Trucks	Cat Lift Trucks	Cat Lift Trucks
	NR20N3H	NR20N3HX	NR25N3H
	Battery	Battery	Battery
	Sit-on	Sit-on	Sit-on
	2000	2000	2500
	600	600	600
	See table	See table	See table
	1530	1530	1630
	4550	5200	4600
	2400 / 1750	2790 / 2410	2400 / 2000
	650 / 5500	1060 / 6140	800 / 6100
	2050 / 4100	2280 / 4920	2100 / 4100
	Vul	Vul	Vul
	355 x 155	355 x 155	355 x 155
	285 x 105	285 x 105	285 x 105
	2 / 1 x	2 / 1 x	2 / 1 x
	1128 / 1255	1255	1255
	1 / 4	1 / 4	1 / 4
	See table	See table	See table
	See table	See table	See table
	See table	See table	See table
	See table	See table	See table
	2205	2205	2205
	1153 ¹⁾	1153 ¹⁾	1153 ¹⁾
	235	235	235
	65	65	65
	See table	See table	See table
	See table	See table	See table
	1270 ¹²⁾	1397	1397
	40 / 100 / 1150	40 / 100 / 1150	45 / 100 / 1150
	FEM 2A	FEM 2A	FEM 2A
	830	830	830
	316 - 697	316 - 697	316 - 697
	903 ¹⁰⁾	1030	1030
	See table	See table	See table
	See table	See table	See table
	See table	See table	See table
	See table	See table	See table
	1910	1910	2010
	12.5 / 12.5	12 / 12	12 / 12
	0.37 / 0.63	0.36 / 0.52	0.33 / 0.52
	0.55 / 0.43	0.54 / 0.45	0.55 / 0.43
	0.2 / 0.2	0.2 / 0.2	0.2 / 0.2
	6.3 / 9.4	6.1 / 8.4	9.2 / 14.7
	4.8 / 4.4	4.8 / 4.4	4.8 / 4.4
	Electric	Electric	Electric
	7.2	7.2	7.2
	15	15	15
	48 - 620 / 775 / 930	48 - 775 / 930	48 - 775 / 930
	892 / 1063 / 1240	1063 / 1240	1063 / 1240
	5.3		5.3
	Stepless	Stepless	Stepless
	150	150	150
	25	25	25
	60.8	60.8	60.8

Ast = Working aisle width
 Ast = $Wa + \sqrt{(l6 - x)^2 + (b12 / 2)^2} + a$
 Wa = Turning radius
 l6 = Pallet length (1200 mm)
 x = Load wheel axle to fork face
 b12 = Pallet width (800 or 1000 mm)
 a = Safety clearance = 2 x 100 mm



1) Measured with standard seat to SIP point
 10) Inner width of 1030mm available
 12) b1 1397mm if inner width is 1030mm

NR16N3				
Mast Type	h3 + h13	h1	h2 + h13	h4
	mm	mm	mm	mm
DTFV	4800	2155	1630	5345
	4900	2190	1665	5445
	5000	2225	1690	5545
	5100	2255	1730	5645
	5200	2290	1760	5745
	5300	2325	1790	5845
	5400	2355	1830	5945
	5500	2390	1860	6045
	5600	2425	1890	6145
	5700	2455	1930	6245
	5800	2490	1960	6345
	5900	2525	1990	6445
	6000	2555	2030	6545
	6100	2590	2060	6645
	6200	2625	2090	6745
	6300	2655	2130	6845
	6400	2690	2160	6945
	6500	2725	2190	7045
	6600	2755	2230	7145
	6750	2805	2280	7295
6900	2855	2330	7445	
7000	2890	2360	7545	
7100	2925	2390	7645	
7250	2975	2440	7795	
7950	3205	2680	8495	
8450	3375	2840	8995	
8950	3540	3010	9495	

NR16N3HS				
Mast Type	h3 + h13	h1	h2 + h13	h4
	mm	mm	mm	mm
DTFV	4800	2155	1630	5345
	5400	2355	1830	5945
	5700	2455	1930	6245
	5900	2525	1990	6445
	6000	2555	2030	6545
	6300	2655	2130	6845
	6750	2805	2280	7295
	7250	2975	2440	7795
	7950	3205	2680	8495
	8450	3375	2840	8995
	8500	3690	3149	9045
	8950	3840	3299	9495
	9000	3855	3315	9545
	9100	3890	3349	9645
	9200	3925	3382	9745
	9300	3955	3415	9845
9400	3990	3449	9945	
9500	4025	3482	10045	
9600	4055	3515	10145	

NR16N3H				
Mast Type	h3 + h13	h1	h2 + h13	h4
	mm	mm	mm	mm
DTFV	6350	2975	2445	6895
	7050	3205	2680	7595
	7300	3290	2760	7845
	7400	3325	2795	7945
	7550	3375	2845	8095
	7800	3455	2930	8345
	8050	3540	3010	8595
	8500	3690	3160	9045
	8950	3840	3310	9495
	9000	3855	3330	9545
	9100	3890	3360	9645
	9200	3925	3395	9745
	9300	3955	3430	9845
	9400	3990	3460	9945
	9500	4025	3495	10045
	9600	4055	3530	10145
	9700	4090	3560	10245
	9800	4125	3595	10345
	9900	4155	3630	10445
	10000	4190	3660	10545
10100	4225	3695	10645	
10200	4255	3730	10745	
10300	4290	3760	10845	
10400	4325	3795	10945	
10500	4355	3830	11045	
10600	4390	3860	11145	
10700	4425	3895	11245	
10800	4455	3930	11345	
10900	4490	3960	11445	

Mast Performance and Capacity

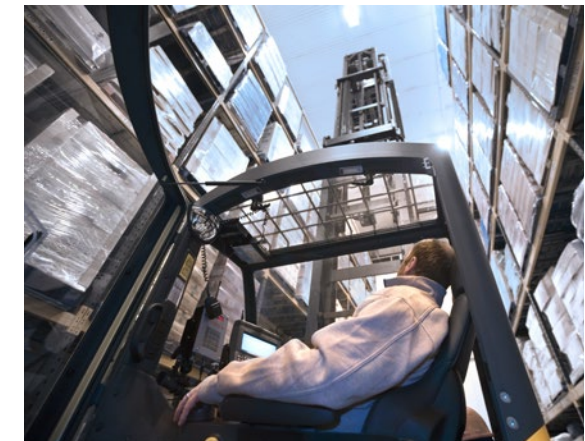
- DTFV Triplex
- h1 Lowered mast height
- h2 + h13 Free lift
- h3 + h13 Lift height
- h4 Raised mast height
- Q Lifting capacity, rated load
- c Load centre (distance)

NR20N3				
Mast Type	h3 + h13	h1	h2 + h13	h4
	mm	mm	mm	mm
DTFV	4800	2153	1645	5345
	5400	2353	1845	5945
	5700	2453	1945	6245
	6300	2653	2145	6845
	6750	2803	2295	7295
	7250	2970	2462	7795
	7950	3203	2695	8495
	8450	3370	2862	8995
	8950	3536	3028	9495

NR20N3H				
Mast Type	h3 + h13	h1	h2 + h13	h4
	mm	mm	mm	mm
DTFV	6350	2972	2432	6895
	7300	3288	2749	7845
	7400	3322	2782	7945
	7050	3205	2665	7595
	7550	3372	2832	8095
	7800	3455	2915	8345
	8050	3538	2999	8595
	8500	3688	3149	9045
	8950	3838	3299	9495
	9000	3855	3315	9545
	9100	3888	3349	9645
	9200	3922	3382	9745
	9300	3955	3415	9845
	9400	3988	3449	9945
	9500	4022	3482	10045
	9600	4055	3515	10145
	9700	4088	3549	10245
	9800	4122	3582	10345
	9900	4155	3615	10445
	10000	4188	3649	10545
10100	4222	3682	10645	
10200	4255	3715	10745	
10300	4288	3749	10845	
10400	4322	3782	10945	
10500	4355	3815	11045	
10600	4388	3849	11145	
10700	4422	3882	11245	
10800	4455	3915	11345	
10900	4488	3949	11445	
11200	4588	4049	11745	
11500	4688	4148	12045	

NR20N3HX				
Mast Type	h3 + h13	h1	h2 + h13	h4
	mm	mm	mm	mm
DTFV	9600	4055	3530	10145
	10200	4255	3730	10745
	10300	4290	3765	10845
	10500	4355	3830	11045
	10800	4455	3930	11345
	11000	4525	4000	11545
	11100	4555	4030	11645
	11600	4725	4200	12145
	12100	4890	4365	12645
	12400	4990	4465	12945
	12500	5025	4500	13045
	12700	5090	4565	13245
	12800	5125	4600	13345
	12900	5155	4630	13445
	13000	5190	4665	13545

NR25N3H				
Mast Type	h3 + h13	h1	h2 + h13	h4
	mm	mm	mm	mm
DTFV	4800	2450	1795	5490
	5850	2800	2145	6540
	6350	2967	2312	7040
	7050	3200	2545	7740
	7550	3367	2712	8240
	8050	3533	2878	8740
	8500	3683	3028	9190
	8950	3833	3178	9640



Optional cabin fitted with transparent overhead guard roof with protective mesh metal.

Model	Battery Capacity	Battery Weight	4.33a Ast	4.34a Ast	4.28 L4	4.20 L2	4.19 L1	1.8 x	4.35 Wa
	Ah	kg	mm	mm	mm	mm	mm	mm	mm
NR16N3	465	708	2689	2728	596	1229	2379	439	1668
	620	892	2740	2792	524	1301	2451	367	1668
	775	1063	2794	2857	452	1373	2535	295	1668
NR16N3H	620	892	2761	2823	490	1335	2485	306	1643
	775	1063	2816	2889	418	1407	2557	234	1643
NR16N3HS	465	712	2708	2758	565	1263	2413	381	1643
	620	892	2761	2823	493	1335	2485	309	1643
	775	1063	2816	2889	421	1407	2557	237	1643
NR20N3	620	892	2770	2808	625	1310	2460	441	1750
	775	1063	2821	2873	553	1382	2532	369	1750
	930	1240	2875	2938	481	1454	2604	297	1750
NR20N3H	620	892	2788	2831	600	1335	2485	416	1750
	775	1063	2839	2895	528	1407	2557	344	1750
	930	1240	2894	2961	456	1479	2629	272	1750
NR20N3HX	930	1240	2906	2976	430	1495	2645	256	1750
	775	1063	2871	2910	628	1412	2562	439	1850
NR25N3H	930	1240	2921	2974	556	1484	2634	367	1850



SPECIFICATIONS REACH TRUCKS 48V, 1.6 - 2.5 TONNES

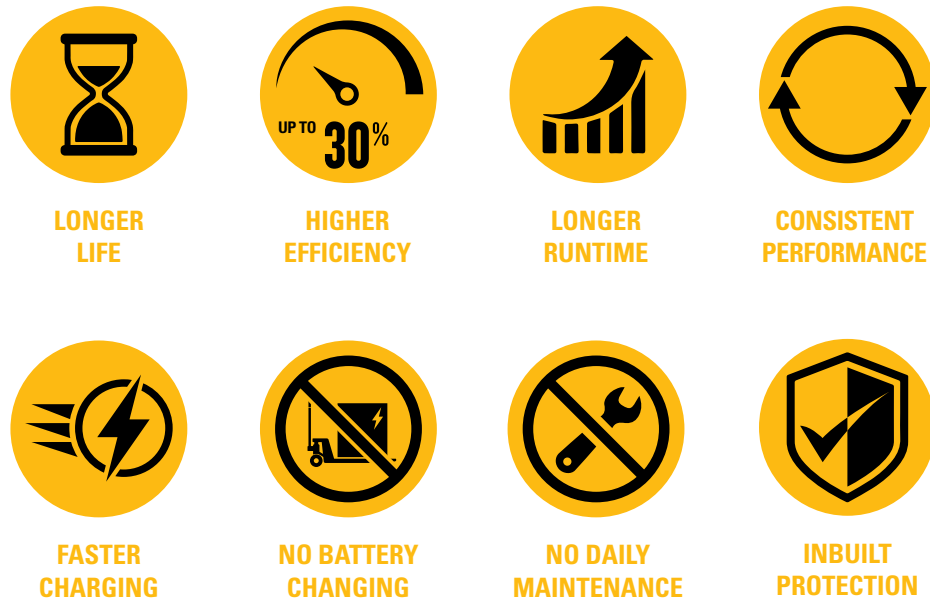
LI-ION BATTERIES

TIME TO SWITCH?



Lithium-ion (Li-ion) battery technology is available in the Cat® electric counterbalance and warehouse truck ranges. While lead-acid batteries remain a popular choice for our customers, and still have much to offer, they present various challenges which Li-ion can overcome.

Perhaps the most noticeable change when switching to Li-ion is the use of opportunity charging. Instead of exchanging batteries between shifts, you can simply plug into a fast charger during short breaks and keep the same battery going 24/7. This, together with other efficiency, environmental and safety benefits, makes Li-ion a very appealing alternative.



Cat Li-ion advantages over lead-acid

Li-ion is an investment which should be viewed against ongoing savings on energy, equipment, labour and downtime.

- **Longer life** – 3 to 4 times lead-acid lifespan – reduces overall battery investment
- **Higher efficiency** – energy losses during charging and discharging are up to 30% lower, so electricity consumption is reduced
- **Longer runtime** – thanks to more efficient battery performance and use of opportunity charges, which can be given at any time without damaging the battery or shortening its lifespan
- **Consistently high performance** – with a more constant voltage curve – maintains greater truck productivity, even toward the end of a shift
- **Faster charging** – enables full charge in as little as 1 hour with the fastest chargers
- **No battery changing** – fast opportunity charges – 15 minutes for several hours of extra runtime – enable continuous operation with just one battery and minimise the need to buy, store and maintain spares
- **No daily maintenance** – the battery stays on board the truck for charging and there is no need for water top-ups or electrolyte checks
- **No gas** – or acid spills – avoids the space, equipment and running costs of a battery room and ventilation system
- **Inbuilt protection** – intelligent battery management system (BMS) automatically prevents excessive discharge, charge, voltage and temperature, as well as virtually eliminating misuse

Batteries and chargers with different capacities are available. Your dealer will identify the best combination for your needs. You should also ask your dealer about optional 5-year warranties, subject to annual check-ups, which give extra peace of mind.

info@catliftruck.com | www.catliftruck.com

WESC2124(04/26) © 2026 Logisnext Europe B.V. All rights reserved. CAT, CATERPILLAR, LET'S DO THE WORK, and their respective logos "Caterpillar Corporate Yellow", the "Power Edge" and Cat "Modern Hex" trade dress as well as corporate and product identity used herein are trademarks of Caterpillar used under license and may not be used without permission from Caterpillar. Specifications are indicative and may vary depending on operating conditions. Failure to assess all factors may result in performance deviations. All relevant sales support materials and technical expertise of the official distributor must be considered when identifying the best product/solution. Options and technical details may change without notice. Full legal notice and up-to-date product information: www.catliftruck.com.



DOWNLOAD
BROCHURE



WATCH
VIDEOS



DOWNLOAD
OUR APP

