



UNCOMPROMISING PERFORMANCE...

DP40N3
DP45N3
DP50CN3
DP50N3
DP55N3

GP40N3
GP45N3
GP50CN3
GP50N3
GP55N3

SPECIFICATIONS

ENGINE POWERED LIFT TRUCKS 4.0 - 5.5 TONNES



UNCOMPROMISING PERFORMANCE...

THESE LARGER ENGINE-POWERED MODELS ARE DESIGNED FOR HEAVY DUTY APPLICATIONS AND ARE THE NATURAL CHOICE FOR USE IN PORTS, CONSTRUCTION SITES, FREIGHT FACILITIES, AND METAL AND BRICK OPERATIONS.



In the diesel-powered models, the tough, electronically controlled common rail Stage V engine allows each cylinder to work at peak efficiency regardless of load and speed. It also contributes to the truck's exceptionally low noise, vibrations, emissions and fuel consumption.

The GP40-GP55N3 models are equipped with a GCT GK45 LPG engine with standard catalytic converter that delivers good performance, excellent fuel economy and low emissions, as well as low noise and vibration levels.

The compact, smooth lines of each model enable easy manoeuvring in confined spaces whilst ensuring good visibility.

The capabilities of the range are further boosted by a wide array of options that enable you to fine-tune each truck to your work requirements.

LOWER COST OF OWNERSHIP

- Specially positioned air intake system lengthens the life of air intake filter cartridges.
- LCD multifunctional display with indicators providing soot status (diesel) and all safety functions allows for rapid troubleshooting.
- Long service interval reduces maintenance costs and downtime.
- Durable transmission system gives smooth, accurate gear changes and low noise levels.
- Highly regarded, market-proven industrial diesel Stage V and LPG engines give excellent performance.
- LED front and rear combination lights reduce energy consumption and maintenance needs.

UNMATCHED PRODUCTIVITY

- Engine hour meter keeps track of hours worked, helping fleet managers to schedule regular maintenance.
- Compact truck design increases manoeuvrability in areas with restricted space.
- Cooling system designed to reduce blockages utilising pusher type radiator airflow.
- Wide variety of mast types and lifting heights allows the truck to be specified to your needs.
- Full floating powertrain, with two forward speeds and one reverse speed, delivers high gradeability and fast travel.
- Hydrostatic steering system makes manoeuvring the truck light and easy.
- Optional factory-fitted panel cabin keeps the elements out, without compromising visibility, combining form and function in a design which keeps the truck performing in the most extreme of temperatures and in wet environments.

SAFETY AND ERGONOMICS

- PDS+ Presence Detection System disengages drive and hydraulic functions when the operator's seat is vacated.
- Ground speed control feature limits truck's top speed.
- Electronic button-operated parking brake is convenient and safe.
- Ergonomically shaped Grammer seat with back cushion is designed for optimal lateral support and driver comfort.
- Hydraulically controlled drum brake system gives increased safety.
- Adjustable steering column enables comfortable operation.



STANDARD EQUIPMENT AND OPTIONS

GENERAL	DIESEL				LP GAS			
	DP40-45N3	DP50CN3	DP50N3	DP55N3	GP40-45N3	GP50CN3	GP50N3	GP55N3
Dust proof kit	○	○	○	○	○	○	○	○
Line filter for torque converter	○	○	○	○	○	○	○	○
LPG bracket removed	–	–	–	–	○	○	○	○
Rear axle under guard	○	○	○	○	○	○	○	○
Tilt cylinder boot kit	○	○	○	○	○	○	○	○
Lifting eyes mounted on counter weight	○	○	○	○	–	–	–	–
Belly plate (under cover)	○	○	○	○	●	●	●	●
Dust proof strainer	○	○	○	○	○	○	○	○
Hydraulic oil cooler	○	○	○	○	○	○	○	○
HYDRAULIC								
3-way control valve MC	●	●	●	●	●	●	●	●
3-way control valve FC	○	○	○	○	○	○	○	○
4-way control valve MC	○	○	○	○	○	○	○	○
4-way control valve FC	○	○	○	○	○	○	○	○
MAST, FORKS AND CARRIAGE								
Loose mast	○	○	○	○	○	○	○	○
Lifting eye for mast	○	○	○	○	○	○	○	○
Uninstalled mast	○	○	○	○	○	○	○	○
Side shifter 1190 mm	○	○	○	○	○	○	○	○
Side shifter 1500 mm* (*Note: Requires Carriage 1500mm)	○	○	○	○	○	○	○	○
Integral side shifter 1190mm	○	○	○	○	○	○	○	○
Fork deletion	○	○	○	○	○	○	○	○
ELECTRIC								
Backup handle with horn button	●	●	●	●	●	●	●	●
Electric diesel control (Diesel)	●	●	●	●	–	–	–	–
Speed control system (LPG)	–	–	–	–	○	○	○	○
Indicator kit	○	○	○	○	○	○	○	○
LED light set	●	●	●	●	●	●	●	●
LED rear work light	○	○	○	○	○	○	○	○
Load weight indicator (for simplex & triplex masts)	●	●	●	●	●	●	●	●
Strobe light (orange)	○	○	○	○	○	○	○	○
FNR switch on adjustable armrest* (*Standard on FC models)	●	●	●	●	●	●	●	●

● Standard ○ Option

For more information about standard and available optional equipment, please contact your dealer.

STANDARD EQUIPMENT AND OPTIONS (CONTINUED)

	DIESEL				LP GAS			
	DP40-45N3	DP50CN3	DP50N3	DP55N3	GP40-45N3	GP50CN3	GP50N3	GP55N3
OHG AND CABIN								
Grammer MSG 65 Vinyl seat	●	●	●	●	●	●	●	●
Grammer MSG 65 Cloth seat	○	○	○	○	○	○	○	○
Armrest LH side (for FC models)	●	●	●	●	●	●	●	●
Armrest LH side (for MC models)	●	●	●	●	●	●	●	●
Armrest RH side (for FC models)	-	-	-	-	-	-	-	-
Armrest RH side (for MC models)	●	●	●	●	●	●	●	●
Rear view mirrors (not available with Deluxe Cabin)	○	○	○	○	○	○	○	○
Convenience tray (*Only for MC models)	●	●	●	●	●	●	●	●
Deluxe Cabin	○	○	○	○	○	○	○	○
TYRES								
Solid pneumatic tyres	○	○	○	●	○	○	○	●
Pneumatic tyres	●	●	●	-	●	●	●	-
Solid pneumatic dual drive tyres	○	○	○	○	○	○	○	○
Pneumatic dual drive tyres	○	○	○	-	○	○	○	-
ENVIRONMENT								
Single element air cleaner	-	-	-	-	●	●	●	●
Double element air cleaner	●	●	●	●	○	○	○	○
Elevated exhaust	○	○	○	○	○	○	○	○

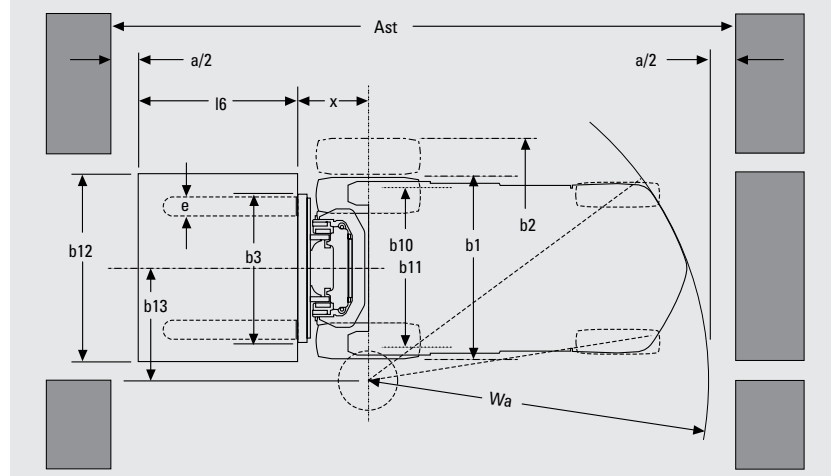
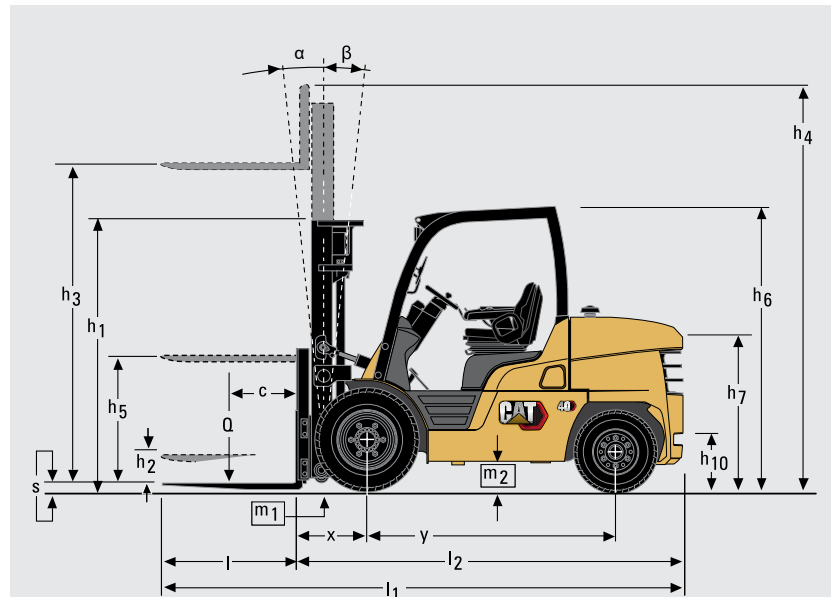


● Standard ○ Option

For more information about standard and available optional equipment, please contact your dealer.

Characteristics		
1.01	Manufacturer (abbreviation)	
1.02	Manufacturer's model designation	
1.03	Power source: (battery, diesel, LPG, petrol)	
1.04	Operator type: pedestrian, (operator) - standing, - seated	
1.05	Load capacity	Q (kg)
1.06	Load centre distance	c (mm)
1.08	Load distance, axle to fork face	x (mm)
1.09	Wheelbase	y (mm)
Weight		
2.01	Truck weight, without load / including battery (simplex mast, lowest lift height)	kg
2.02	Axle loading with maximum load, front / rear (simplex mast, lowest lift height)	kg
2.03	Axle loading without load, front / rear (simplex mast, lowest lift height)	kg
Wheels, Drive Train		
3.01	Tyres: V=solid, L=pneumatic, SE=solid pneumatic - front / rear	
3.02	Tyre dimensions, front	
3.03	Tyre dimensions, rear	
3.05	Number of wheels, front / rear (x=driven)	
3.06	Track width (centre of tyres), front	b10 (mm)
3.07	Track width (centre of tyres), rear	b11 (mm)
Dimensions		
4.01	Mast tilt, forwards / backwards	∂ / β °
4.02	Height with mast lowered (see tables)	h1 (mm)
4.03	Free lift (see tables)	h2 (mm)
4.04	Lift height (see tables)	h3 (mm)
4.05	Overall height with mast raised	h4 (mm)
4.07	Height to top of overhead guard	h6 (mm)
4.08	Seat height	h7 (mm)
4.12	Tow coupling height	h10 (mm)
4.19	Overall length	l1 (mm)
4.20	Length to fork face (includes fork thickness)	l2 (mm)
4.21	Overall width	b1 / b2 (mm)
4.22	Fork dimensions (thickness, width, length)	s / e / l (mm)
4.23	Fork carriage to DIN 15 173 A / B / no	
4.24	Fork carriage width	b3 (mm)
4.31	Ground clearance under mast, with load	m1 (mm)
4.32	Ground clearance at centre of wheelbase, with load (forks lowered)	m2 (mm)
4.33	Working aisle width with 1000 x 1200 mm pallets, crosswise	Ast (mm)
4.34a	Working aisle width with 800 x 1200 mm pallets, crosswise	Ast (mm)
4.34b	Working aisle width with 800 x 1200 mm pallets, lengthwise	Ast (mm)
4.35	Turning circle radius	Wa (mm)
4.36	Minimum distance between centres of rotation	b13 (mm)
Performance		
5.01	Travel speed, with / without load	km / h
5.02	Lifting speed, with / without load	m / s
5.03	Lowering speed, with / without load	m / s
5.05	Rated drawbar pull, with / without load	N
5.06	Maximum drawbar pull, with / without load (5 min short duty)	N
5.07	Gradeability, with / without load	%
5.08	Maximum gradeability with / without load	%
5.09	Acceleration time (10 metres) with / without load	s
5.10	Service brakes (mechanical / hydraulic / electric / pneumatic)	
IC Engine		
7.01	Manufacturer / Type	
7.02	Rated output to ISO 1585 (Gross output)	kW
7.03	Rated speed to DIN 70 020	rpm
7.04	Number of cylinders / cubic capacity	cm ³
7.06	Max torque	Nm
7.07	Max torque at engine speed	rpm
Miscellaneous		
8.01	Type of drive control	
8.02	Maximum operating pressure for attachments	bar
8.03	Oil flow for attachments	l / min
8.04	Noise level, value at operator's ear (EN 12053)	dB (A)
8.05	Towing coupling, type DIN 15170	

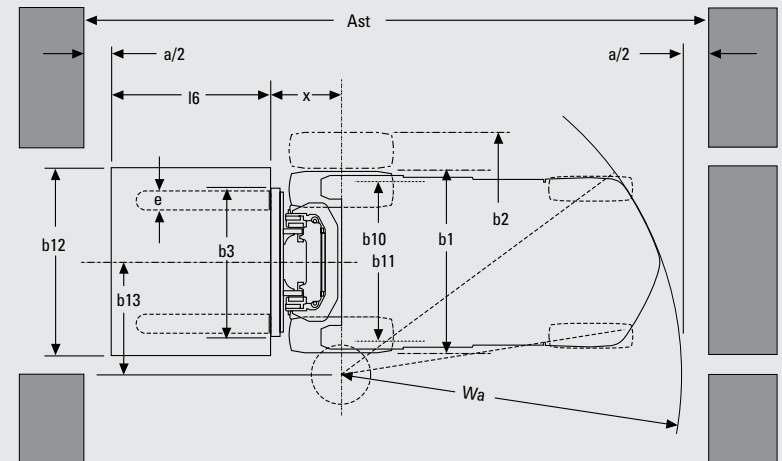
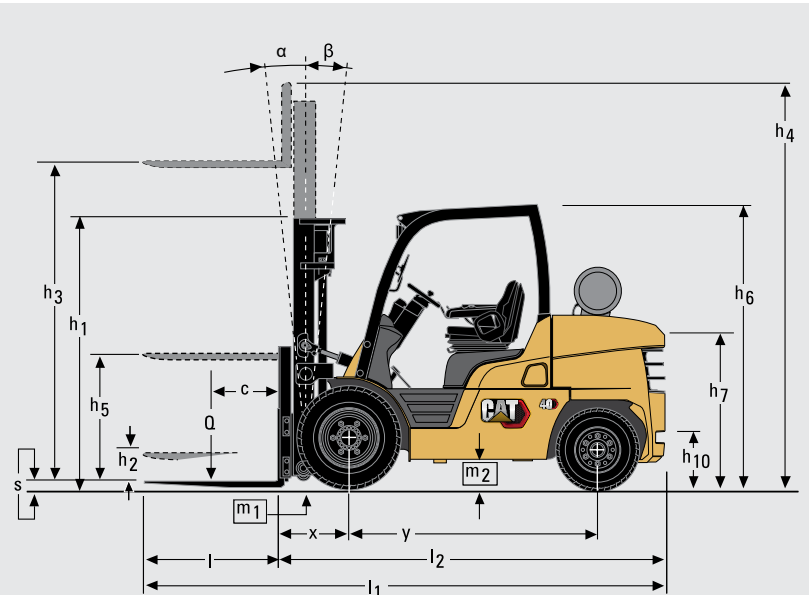
Cat Lift Trucks	Cat Lift Trucks	Cat Lift Trucks	Cat Lift Trucks	Cat Lift Trucks
DP40N3	DP45N3	DP50CN3	DP50N3	DP55N3
Diesel	Diesel	Diesel	Diesel	Diesel
Seated	Seated	Seated	Seated	Seated
4000	4500	5000	5000	5500
500	500	500	600	600
577	577	582	602	602
1850	2000	2000	2150	2150
5920	6330	6850	7300	7640
8960/960	9710/1130	10600/1250	11020/1280	11740/1400
2630/3290	2780/3550	2900/3950	3220/4080	3170/4470
L/L	L/L	L/L	L/L	SE/SE
8.25-15-14PR	300-15-18PR	300-15-18PR	300-15-18PR	300-15-8,00
7.00-12-14PR	7.00-12-14PR	7.00-12-14PR	7.00-12-14PR	7.00-12/5.00
2x/2	2x/2	2x/2	2x/2	2x/2
1175	1175	1175	1175	1175
1180	1180	1180	1180	1180
6/12	6/12	6/12	6/12	6/12
2320	2320	2400	2400	2400
150	150	150	160	160
3300	3300	3300	3300	3300
4430	4430	4430	4580	4580
2295	2295	2295	2295	2295
1082	1082	1082	1082	1082
395	395	395	395	395
4220	4350	4390	4530	4580
3000	3130	3170	3310	3360
1415/1965	1460/1965	1460/1965	1460/1965	1460/1965
50/150/1220	50/150/1220	50/150/1220	60/150/1220	60/150/1220
3A	3A	3A	4A	4A
1190	1190	1190	1190	1190
150	150	150	150	150
227	227	227	227	227
4357	4507	4542	4692	4742
4157	4307	4342	4492	4542
4557	4707	4742	4892	4942
2580	2730	2760	2890	2940
836	903	903	971	971
21.5/22.5	21.5/22.5	21/22	21/22	20.5/22
0.62/0.67	0.62/0.67	0.54/0.58	0.53/0.57	0.53/0.57
0.50/0.50	0.50/0.50	0.50/0.50	0.50/0.50	0.50/0.50
25800/18200	25500/19300	24900/20000	24800/21900	24500/22100
-/-	-/-	-/-	-/-	-/-
27.3/26.7	24.6/26.5	21.8/25.4	21/26.4	19.3/25.3
-/-	-/-	-/-	-/-	-/-
-/-	-/-	-/-	-/-	-/-
Hydraulic	Hydraulic	Hydraulic	Hydraulic	Hydraulic
D04EG-T	D04EG-T	D04EG-T	D04EG-T	D04EG-T
54.0	54.0	54.0	54.0	54.0
2250	2250	2250	2250	2250
4/3330	4/3330	4/3330	4/3330	4/3330
260	260	260	260	260
1800	1800	1800	1800	1800
Powershift 2/1	Powershift 2/1	Powershift 2/1	Powershift 2/1	Powershift 2/1
191	191	191	191	191
80	80	80	80	80
78.5	78.5	78.5	78.5	78.5
Pin	Pin	Pin	Pin	Pin



$Ast = Wa + x + l6 + a$
 $Ast =$ Working aisle width with load
 $a =$ Safety clearance (200 mm)
 $l6 =$ Pallet length (800 or 1000 mm)
 $b12 =$ Pallet width (1200 mm)

Characteristics		
1.01	Manufacturer (abbreviation)	
1.02	Manufacturer's model designation	
1.03	Power source: (battery, diesel, LPG, petrol)	
1.04	Operator type: pedestrian, (operator) - standing, - seated	
1.05	Load capacity	Q (kg)
1.06	Load centre distance	c (mm)
1.08	Load distance, axle to fork face	x (mm)
1.09	Wheelbase	y (mm)
Weight		
2.01	Truck weight, without load / including battery (simplex mast, lowest lift height)	kg
2.02	Axle loading with maximum load, front / rear (simplex mast, lowest lift height)	kg
2.03	Axle loading without load, front / rear (simplex mast, lowest lift height)	kg
Wheels, Drive Train		
3.01	Tyres: V=solid, L=pneumatic, SE=solid pneumatic - front / rear	
3.02	Tyre dimensions, front	
3.03	Tyre dimensions, rear	
3.05	Number of wheels, front / rear (x=driven)	
3.06	Track width (centre of tyres), front	b10 (mm)
3.07	Track width (centre of tyres), rear	b11 (mm)
Dimensions		
4.01	Mast tilt, forwards / backwards	∂ / β °
4.02	Height with mast lowered (see tables)	h1 (mm)
4.03	Free lift (see tables)	h2 (mm)
4.04	Lift height (see tables)	h3 (mm)
4.05	Overall height with mast raised	h4 (mm)
4.07	Height to top of overhead guard	h6 (mm)
4.08	Seat height	h7 (mm)
4.12	Tow coupling height	h10 (mm)
4.19	Overall length	l1 (mm)
4.20	Length to fork face (includes fork thickness)	l2 (mm)
4.21	Overall width	b1 / b2 (mm)
4.22	Fork dimensions (thickness, width, length)	s / e / l (mm)
4.23	Fork carriage to DIN 15 173 A / B / no	
4.24	Fork carriage width	b3 (mm)
4.31	Ground clearance under mast, with load	m1 (mm)
4.32	Ground clearance at centre of wheelbase, with load (forks lowered)	m2 (mm)
4.33	Working aisle width with 1000 x 1200 mm pallets, crosswise	Ast (mm)
4.34a	Working aisle width with 800 x 1200 mm pallets, crosswise	Ast (mm)
4.34b	Working aisle width with 800 x 1200 mm pallets, lengthwise	Ast (mm)
4.35	Turning circle radius	Wa (mm)
4.36	Minimum distance between centres of rotation	b13 (mm)
Performance		
5.01	Travel speed, with / without load	km / h
5.02	Lifting speed, with / without load	m / s
5.03	Lowering speed, with / without load	m / s
5.05	Rated drawbar pull, with / without load	N
5.06	Maximum drawbar pull, with / without load (5 min short duty)	N
5.07	Gradeability, with / without load	%
5.08	Maximum gradeability with / without load	%
5.09	Acceleration time (10 metres) with / without load	s
5.10	Service brakes (mechanical / hydraulic / electric / pneumatic)	
IC Engine		
7.01	Manufacturer / Type	
7.02	Rated output to ISO 1585 (Gross output)	kW
7.03	Rated speed to DIN 70 020	rpm
7.04	Number of cylinders / cubic capacity	cm ³
7.06	Max torque	Nm
7.07	Max torque at engine speed	rpm
Miscellaneous		
8.01	Type of drive control	
8.02	Maximum operating pressure for attachments	bar
8.03	Oil flow for attachments	l / min
8.04	Noise level, value at operator's ear (EN 12053)	dB (A)
8.05	Towing coupling, type DIN 15170	

Cat Lift Trucks	Cat Lift Trucks	Cat Lift Trucks	Cat Lift Trucks	Cat Lift Trucks
GP40N3	GP45N3	GP50CN3	GP50N3	GP55N3
LPG	LPG	LPG	LPG	LPG
Seated	Seated	Seated	Seated	Seated
4000	4500	5000	5000	5500
500	500	500	600	600
577	577	582	602	602
1850	2000	2000	2150	2150
5860	6270	6780	7240	7570
8940/920	9680/1090	10570/1210	10990/1250	11710/1360
2610/3250	2750/3520	2870/3920	3190/4050	3130/4440
L/L	L/L	L/L	L/L	SE/SE
8.25-15-14PR	300-15-18PR	300-15-18PR	300-15-18PR	300-15-8.00
7.00-12-14PR	7.00-12-14PR	7.00-12-14PR	7.00-12-14PR	7.00-12-5.00
2x/2	2x/2	2x/2	2x/2	2x/2
1175	1175	1175	1175	1175
1180	1180	1180	1180	1180
6/12	6/12	6/12	6/12	6/12
2320	2320	2400	2400	2400
150	150	150	160	160
3300	3300	3300	3300	3300
4430	4430	4580	4580	4580
2295	2295	2295	2295	2295
1082	1082	1082	1082	1082
395	395	395	395	395
4220	4350	4390	4530	4580
3000	3130	3170	3310	3360
1415/1965	1460/1965	1460/1965	1460/1965	1460/1965
50/150/1220	50/150/1220	50/150/1220	60/150/1220	60/150/1220
3A	3A	3A	4A	4A
1190	1190	1190	1190	1190
150	150	150	150	150
227	227	227	227	227
4357	4507	4542	4692	4742
4157	4307	4342	4492	4542
4557	4707	4742	4892	4942
2580	2730	2760	2890	2940
836	903	903	971	971
23/23.5	22.5/23.5	22.5/23.5	22/23	22/23
0.67/0.69	0.67/0.69	0.58/0.59	0.57/0.59	0.53/0.59
0.50/0.50	0.50/0.50	0.50/0.50	0.50/0.50	0.50/0.50
28700/17800	28400/19000	27800/19700	27700/21600	27500/21800
-/-	-/-	-/-	-/-	-/-
30.8/26.3	27.7/26.3	24.6/25.2	23.7/26.2	21.8/25
-/-	-/-	-/-	-/-	-/-
-/-	-/-	-/-	-/-	-/-
Hydraulic	Hydraulic	Hydraulic	Hydraulic	Hydraulic
GK45	GK45	GK45	GK45	GK45
54.0	54.0	54.0	54.0	54.0
2450	2450	2450	2450	2450
6/4450	6/4450	6/4450	6/4450	6/4450
279	279	279	279	279
1600	1600	1600	1600	1600
Powershift 2/1	Powershift 2/1	Powershift 2/1	Powershift 2/1	Powershift 2/1
191	191	191	191	191
80	80	80	80	80
78.2	78.2	78.2	78.2	78.2
Pin	Pin	Pin	Pin	Pin



$Ast = Wa + x + l_6 + a$
 $Ast =$ Working aisle width with load
 $a =$ Safety clearance (200 mm)
 $l_6 =$ Pallet length (800 or 1000 mm)
 $b_{12} =$ Pallet width (1200 mm)

DP/GP40N3							
Mast Type	h3 mm	h1 mm	h4 (mm)		h2/h5 (mm)		Tilt angle (fwd - back)
			With Std. backrest	Without Std. backrest	With Std. backrest	Without Std. backrest	
Simplex	3000	2170	4130	3930	150	150	6°/12°
	3300	2320	4430	4230	150	150	6°/12°
	3700	2520	4830	4630	150	150	6°/12°
	4000	2700	5130	4930	150	150	6°/12°
	4500	3000	5630	5430	150	150	6°/6°
	5000	3250	6130	5930	150	150	6°/6°
	5500	3500	6630	6430	150	150	6°/6°
	6000	3750	7130	6930	150	150	6°/6°
Duplex	3000	2170	4130	3950	1090	1270	6°/12°
	3300	2320	4430	4250	1240	1420	6°/12°
	3700	2520	4830	4650	1440	1620	6°/12°
	4060	2700	5190	5010	1620	1800	6°/12°
Triplex	3700	1950	4830	4650	870	1050	6°/6°
	4000	2050	5130	4950	970	1150	6°/6°
	4360	2170	5490	5310	1090	1270	6°/6°
	4700	2285	5830	5650	1200	1390	6°/6°
	5050	2400	6180	6000	1320	1500	6°/6°
	5500	2550	6630	6450	1470	1650	6°/6°
	6000	2750	7130	6950	1670	1850	6°/6°
	6500	2950	7630	7450	1870	2050	6°/6°
	7000	3150	8130	7950	2070	2250	6°/6°

DP/GP40N3 PNEUMATIC		
Q @ c = 500mm kg	Q @ c = 600mm kg	
4000	3500	
4000	3500	
4000	3500	
4000	3500	
3850	3500	
3650*	3400*	
3500*	3300*	
4000	3500	
4000	3500	
4000	3500	
4000	3500	
4000	3500	
4000	3500	
4000	3500	
3800	3500	
3600*	3400*	
3450*	3250*	
3000*	3000*	
2400*	2400*	

DP/GP40N3 SOLID PNEUMATIC		
Q @ c = 500mm kg	Q @ c = 600mm kg	
4000	3500	
4000	3500	
4000	3500	
4000	3500	
4000	3500	
4000	3500	
4000	3500	
4000	3500	
4000	3500	
4000	3500	
4000	3500	
4000	3500	
4000	3500	
4000	3500	
4000	3500	
3900	3500	
3700*	3450*	
3550*	3350*	
3400*	3200*	
3300*	3100*	

Mast Performance and Capacity

- h1 Height with mast lowered
- h2 Standard free lift
- h3 Lift height
- h4 Height with mast raised
- h5 Full free lift
- Q Lifting capacity, rated load
- c Load centre (distance)

* Truck equipped with dual tyres. Consult your dealer for maximum back-tilt allowed, to obtain the capacities specified.

DP/GP45N3								
Mast Type	h3 mm	h1 mm	h4 (mm)		h2/h5 (mm)		Tilt angle (fwd - back)	
			With Std. backrest	Without Std. backrest	With Std. backrest	Without Std. backrest		
Simplex	3000	2170	4130	3930	150	150	6°/12°	
	3300	2320	4430	4230	150	150	6°/12°	
	3700	2520	4830	4630	150	150	6°/12°	
	4000	2700	5130	4930	150	150	6°/12°	
	4500	3000	5630	5430	150	150	6°/6°	
	5000	3250	6130	5930	150	150	6°/6°	
	5500	3500	6630	6430	150	150	6°/6°	
	6000	3750	7130	6930	150	150	6°/6°	
	Duplex	3000	2170	4130	3950	1090	1270	6°/12°
		3300	2320	4430	4250	1240	1420	6°/12°
3700		2520	4830	4650	1440	1620	6°/12°	
4060		2700	5190	5010	1620	1800	6°/12°	
Triplex	3700	1950	4830	4650	870	1050	6°/6°	
	4000	2050	5130	4950	970	1150	6°/6°	
	4360	2170	5490	5310	1090	1270	6°/6°	
	4700	2285	5830	5650	1200	1390	6°/6°	
	5050	2400	6180	6000	1320	1500	6°/6°	
	5500	2550	6630	6450	1470	1650	6°/6°	
	6000	2750	7130	6950	1670	1850	6°/6°	
	6500	2950	7630	7450	1870	2050	6°/6°	
	7000	3150	8130	7950	2070	2250	6°/6°	

DP/GP45N3 PNEUMATIC		
Q @ c = 500mm kg	Q @ c = 600mm kg	
4500	4000	
4500	4000	
4500	4000	
4500	4000	
4500	4000	
4500	4000	
4300*	4000*	
3900*	3900*	
4500	4000	
4500	4000	
4500	4000	
4500	4000	
4500	4000	
4500	4000	
4500	4000	
4500	4000	
4200*	4000*	
4050*	3800*	
3000*	3000*	
2400*	2400*	

DP/GP45N3 SOLID PNEUMATIC		
Q @ c = 500mm kg	Q @ c = 600mm kg	
4500	4000	
4500	4000	
4500	4000	
4500	4000	
4500	4000	
4500	4000	
4500	4000	
4500	4000	
4500	4000	
4500	4000	
4500	4000	
4500	4000	
4500	4000	
4500	4000	
4500	4000	
4500	4000	
4500	4000	
4350*	4000*	
4200*	3900*	
4050*	3800*	
3500*	3500*	

DP/GP50CN3								
Mast Type	h3 mm	h1 mm	h4 (mm)		h2/h5 (mm)		Tilt angle (fwd - back)	
			With Std. backrest	Without Std. backrest	With Std. backrest	Without Std. backrest		
Simplex	3000	2250	4130	3890	150	150	6°/12°	
	3300	2400	4430	4190	150	150	6°/12°	
	3700	2600	4830	4590	150	150	6°/12°	
	4000	2850	5130	4890	150	150	6°/12°	
	4500	3100	5630	5390	150	150	6°/6°	
	5000	3350	6130	5890	150	150	6°/6°	
	5500	3600	6630	6390	150	150	6°/6°	
	6000	3850	7130	6890	150	150	6°/6°	
	Duplex	2970	2250	4100	3870	1170	1400	6°/12°
		3280	2400	4410	4180	1320	1550	6°/12°
4080		2850	5210	4980	1770	2000	6°/12°	
3700		2050	4830	4610	970	1200	6°/6°	
Triplex	4040	2170	5170	4950	1090	1320	6°/6°	
	4310	2260	5440	5220	1180	1410	6°/6°	
	4750	2400	5880	5660	1320	1550	6°/6°	
	5050	2500	6180	5960	1420	1650	6°/6°	
	5500	2650	6630	6410	1570	1800	6°/6°	
	6000	2850	7130	6910	1770	2000	6°/6°	
	6500	3050	7630	7410	1970	2200	6°/6°	
	7000	3250	8130	7910	2170	2400	6°/6°	

DP/GP50CN3 PNEUMATIC		
Q @ c = 500mm kg	Q @ c = 600mm kg	
5000	4500	
5000	4500	
5000	4500	
5000	4500	
5000	4500	
5000	4500	
4750*	4500*	
3900*	3900*	
5000	4500	
5000	4500	
5000	4500	
5000	4500	
5000	4500	
5000	4500	
5000	4500	
5000	4500	
4700*	4450*	
4200*	4200*	
3000*	3000*	
2400*	2400*	

DP/GP50CN3 SOLID PNEUMATIC		
Q @ c = 500mm kg	Q @ c = 600mm kg	
5000	4500	
5000	4500	
5000	4500	
5000	4500	
5000	4500	
5000	4500	
5000	4500	
5000	4500	
5000	4500	
5000	4500	
5000	4500	
5000	4500	
5000	4500	
5000	4500	
5000	4500	
5000	4500	
4850*	4500*	
4650*	4350*	
4450*	4200*	
3500*	3500*	

DP/GP50N3							
Mast Type	h3 mm	h1 mm	h4 (mm)		h2/h5 (mm)		Tilt angle (fwd - back)
			With Std. backrest	Without Std. backrest	With Std. backrest	Without Std. backrest	
Simplex	3000	2250	4280	4030	160	160	6°/12°
	3300	2400	4580	4330	160	160	6°/12°
	3700	2600	4980	4730	160	160	6°/12°
	4000	2850	5280	5030	160	160	6°/12°
	4500	3100	5780	5530	160	160	6°/6°
	5000	3350	6280	6030	160	160	6°/6°
	5500	3600	6780	6530	160	160	6°/6°
	6000	3850	7280	7030	160	160	6°/6°
Duplex	2970	2250	4250	4000	1030	1280	6°/12°
	3280	2400	4560	4310	1180	1430	6°/12°
	4080	2850	5360	5110	1630	1880	6°/12°
Triplex	3700	2050	4980	4740	830	1080	6°/6°
	4040	2170	5320	5080	950	1200	6°/6°
	4310	2260	5590	5350	1040	1290	6°/6°
	4750	2400	6030	5790	1180	1430	6°/6°
	5050	2500	6330	6090	1280	1530	6°/6°
	5500	2650	6780	6540	1430	1680	6°/6°
	6000	2850	7280	7040	1630	1880	6°/6°

DP/GP50N3 PNEUMATIC
Q @ c = 600mm kg
5000
5000
5000
5000
5000
5000
4900*
4100*
5000
5000
5000
5000
5000
5000
4900*
4300*

DP/GP50N3 SOLID PNEUMATIC
Q @ c = 600mm kg
5000
5000
5000
5000
5000
5000
5000
4900
5000
5000
5000
5000
5000
5000
5000
4800

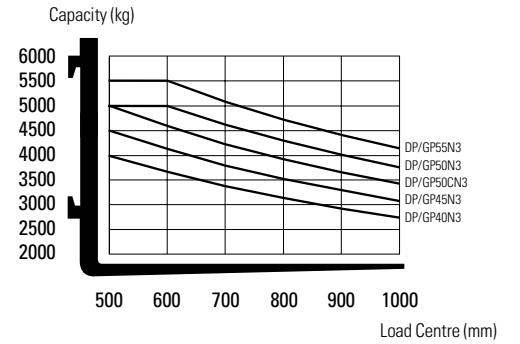
Mast Performance and Capacity

- h1 Height with mast lowered
- h2 Standard free lift
- h3 Lift height
- h4 Height with mast raised
- h5 Full free lift
- Q Lifting capacity, rated load
- c Load centre (distance)

* Truck equipped with dual tyres. Consult your dealer for maximum back-tilt allowed, to obtain the capacities specified.

Capacity vs. Load Distance

Simplex - h3 = 4000mm



DP/GP55N3							
Mast Type	h3 mm	h1 mm	h4 (mm)		h2/h5 (mm)		Tilt angle (fwd - back)
			With Std. backrest	Without Std. backrest	With Std. backrest	Without Std. backrest	
Simplex	3000	2250	4280	4030	160	160	6°/12°
	3300	2400	4580	4330	160	160	6°/12°
	3700	2600	4980	4730	160	160	6°/12°
	4000	2850	5280	5030	160	160	6°/12°
	4500	3100	5780	5530	160	160	6°/6°
	5000	3350	6280	6030	160	160	6°/6°
	5500	3600	6780	6530	160	160	6°/6°
	6000	3850	7280	7030	160	160	6°/6°
Duplex	2970	2250	4250	4000	1030	1280	6°/12°
	3280	2400	4560	4310	1180	1430	6°/12°
	4080	2850	5360	5110	1630	1880	6°/12°
Triplex	3700	2050	4980	4740	830	1080	6°/6°
	4040	2170	5320	5080	950	1200	6°/6°
	4310	2260	5590	5350	1040	1290	6°/6°
	4750	2400	6030	5790	1180	1430	6°/6°
	5050	2500	6330	6090	1280	1530	6°/6°
	5500	2650	6780	6540	1430	1680	6°/6°
	6000	2850	7280	7040	1630	1880	6°/6°

DP/GP55N3 PNEUMATIC
Q @ c = 600mm kg
5500
5500
5500
5500
5500
5500*
-
-
5500
5500
5500
5500
5500
5500*
-
-

DP/GP55N3 SOLID PNEUMATIC
Q @ c = 600mm kg
5500
5500
5500
5500
5500
5500
5500
5350*
5500
5500
5500
5500
5500
5500
5500
-

info@catlifttruck.com | www.catlifttruck.com

CECSC2015-D(06/26) © 2026 Logisnext Europe B.V. All rights reserved. CAT, CATERPILLAR, LET'S DO THE WORK, and their respective logos "Caterpillar Corporate Yellow", the "Power Edge" and Cat "Modern Hex" trade dress as well as corporate and product identity used herein are trademarks of Caterpillar used under license and may not be used without permission from Caterpillar. Specifications are indicative and may vary depending on operating conditions. Failure to assess all factors may result in performance deviations. All relevant sales support materials and technical expertise of the official distributor must be considered when identifying the best product/solution. Options and technical details may change without notice. Full legal notice and up-to-date product information: www.catlifttruck.com.



DOWNLOAD
BROCHURE



WATCH
VIDEOS



DOWNLOAD
OUR APP

